

ADJUSTABLE DOWNLIGHT

42W LED Circular Adjustable Downlight

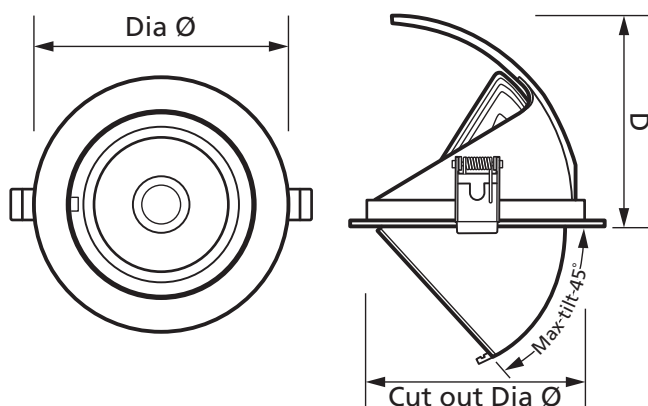
Product Ref: **FCAD42**

Technical Features:

- Die cast aluminium white powder coated body
- Pre-wired plug and play driver
- Adjustable 45° head
- Beam angle: 60°

Product Specification

Beam Angle	60°
Class	Class 2
Colour	White
Colour Temperature	4000K
Compliance	UKCA, CE
CRI	80
Cut Out	145mm
Finish	Powder Coated
Frequency	50/60Hz
Guarantee	3 Years
IP Rating	IP20
Lamp Life (L70/B50)	25,000 hours
Lumens	3800lm
Material	Die Cast Aluminium
Mounting	Recessed
Operating Temperature	-10 - +40°C
Voltage Rating	230V
Wattage	42W
Weight	1.110kg
Depth	135mm
Diameter Ø	160mm



Errors and omissions excepted (E&OE). All information is subject to change without notice and is correct at the time of print. Refer to issue number and date below.

Tel: +44 (0)1302 769 966