

DECORATIVE PENDANT ES 1200mm Pendant

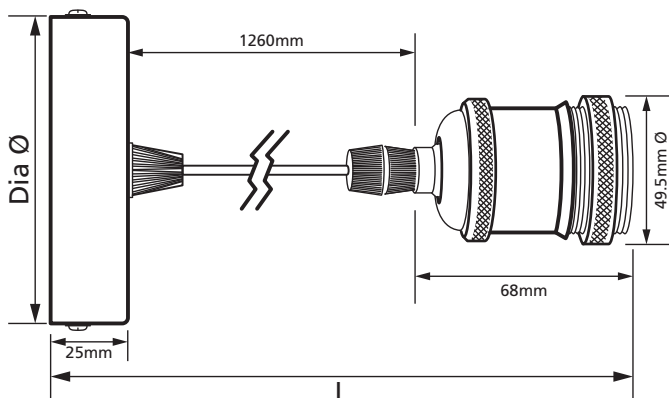
Product Ref: **FDP/B**

Technical Features:

- Push-fit (loop-in/loop-out) terminal block
 - c/w 1.2m PVC cable
 - Class I
 - Suitable for E27 lamps (Max 15W LED)
- LAMP NOT INCLUDED**
- Suitable for Shade with ring hole diameter 42-44mm

Product Specification

Cap Type	ES/E27
Class	I
Colour	Black
Compliance	UKCA, CE
Guarantee	1 Year
IP Rating	IP20
Lamp Size	15W Max
Lamp(s) Included	No
Material	Base: Steel / Lamp holder: Aluminium
Mounting	Surface
Standards	EN 60598-2-1, EN 60598-1 & EN 62493
Voltage Rating	230V
Weight	0.240kg
Diameter Ø	100mm
Length	1.353mm



Errors and omissions excepted (E&OE). All information is subject to change without notice and is correct at the time of print. Refer to issue number and date below.

Tel: +44 (0)1302 769 966