

## 1W LED Golf Ball Magenta

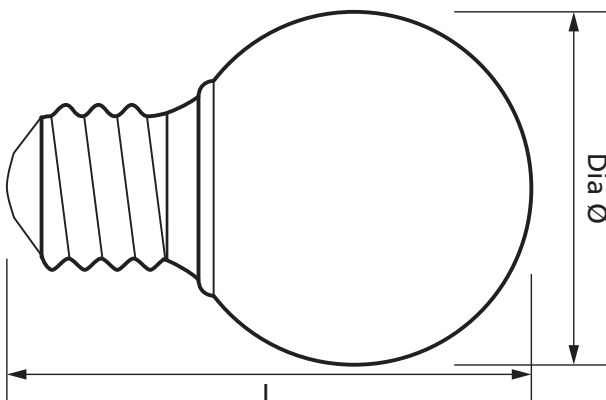
Product Ref: **FDRES/MA**

### Technical Features:

- Low power consumption
- Low surface temperature
- Polycarbonate cover
- No UV output
- Ideal for Festoon lighting

## Product Specification

Beam Angle	240°
Cap Type	ES/E27
Colour	Magenta
Compliance	UKCA, CE
Dimmable	No
Energy Rating	G
Guarantee	2 Years
Lamp Life (L70/B50)	25000 hours
Lamp Type	LED Golfballs
Lens Colour	Magenta
Lumens	22lm
Lumens (Useful) 360°	22lm
Mercury Content	0mg
Suitable For	Festoon lighting
Switching Cycles	50000
Voltage Rating	230V
Wattage	1W
Weight	0.010kg
Diameter Ø	45mm
Length	69mm



Errors and omissions excepted (E&OE). All information is subject to change without notice and is correct at the time of print. Refer to issue number and date below.