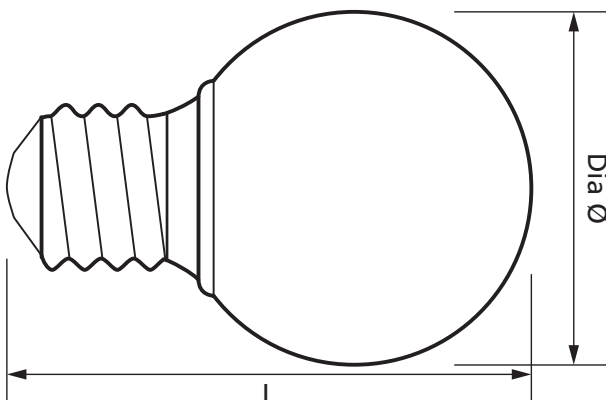


1W LED Golf Ball White

Product Ref: **FDRES/WH**

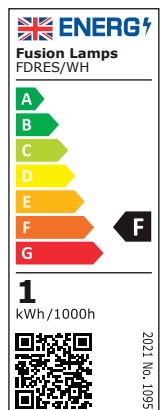
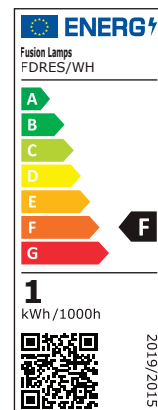
Technical Features:

- Low power consumption
- Low surface temperature
- Polycarbonate cover
- No UV output
- Ideal for Festoon lighting



Product Specification

| | |
|----------------------|------------------|
| Beam Angle | 240° |
| Cap Type | ES/E27 |
| Colour | White |
| Compliance | UKCA, CE |
| Dimmable | No |
| Energy Rating | F |
| Guarantee | 2 Years |
| Lamp Life (L70/B50) | 25000 hours |
| Lamp Type | LED Golfballs |
| Lens Colour | Opal |
| Lumens | 85lm |
| Lumens (Useful) 360° | 85lm |
| Mercury Content | 0mg |
| Suitable For | Festoon lighting |
| Switching Cycles | 50000 |
| Voltage Rating | 230V |
| Wattage | 1W |
| Weight | 0.011kg |
| Diameter Ø | 45mm |
| Length | 69mm |



Errors and omissions excepted (E&OE). All information is subject to change without notice and is correct at the time of print. Refer to issue number and date below.