

EMERGENCY DOWNLIGHT 3W LED Maintained Downlight

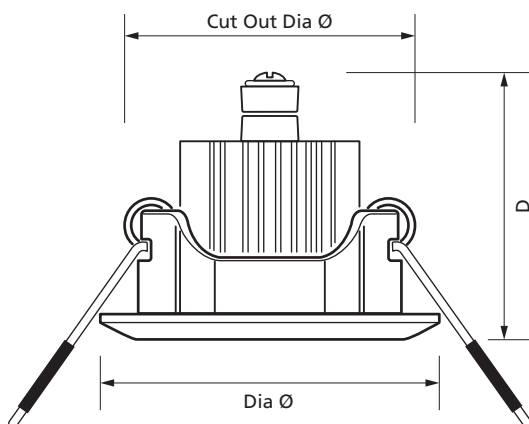
Product Ref: **FE3D3**

Technical Features:

- Dual Technology: Suitable for maintained/non-maintained operation
- Interchangeable lenses available (corridor or narrow spot)
- Emergency duration (3hr/180mins)

Product Specification

Average Life	30,000 Hours (L70/B50)
Battery Type	Lithium Iron Phosphate (LiFePO4)
Beam Angle	120°
CCT	6500K Daylight White
Class	Class 1
Colour	White
Compliance	UKCA, CE
Emergency	3 Hours / 180 Mins
Frequency	50/60Hz
Guarantee	2 Years
IP Rating	IP20
Lumens Emergency	152lm
Lumens Mains	171lm
Material	Steel
Mounting	Recessed
Operating Temperature	0°C - +40°C
Suitable for	Emergency Lighting of Commercial and Retail Property
Voltage Rating	220-240V ~ 50/60Hz
Wattage	3W
Weight	0.310kg
Cut Out Ø	60mm Ø
Depth	49mm
Diameter Ø	70mm



Errors and omissions excepted (E&OE). All information is subject to change without notice and is correct at the time of print. Refer to issue number and date below.

Tel: **+44 (0)1302 769 966**