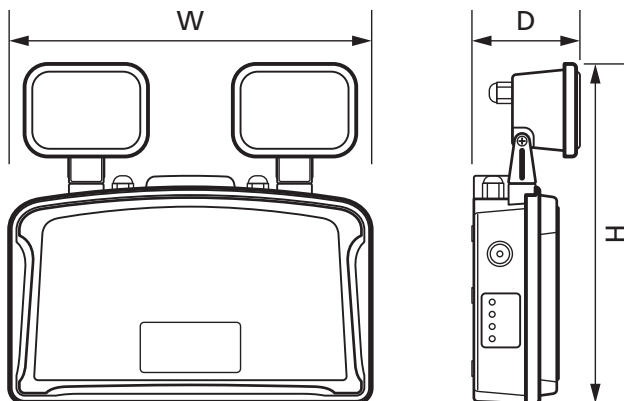


EMERGENCY TWINSPOT 3W LED Non-Maintained

Product Ref: **FE3TS/ST**

Technical Features:

- Automatic self-test function
- Polycarbonate body and adjustable heads
- 180° head tilt
- Non-Maintained operation
- Emergency duration (3hrs / 180mins)
- Gland entry points (2 x 20mm)
- LED Lifetime: 30,000hrs (L70/B50)



Product Specification

Battery Type	Li-FePo4 /32650/ 3.2V 5500mAh
Beam Angle	75.9°
Cable Entry Ø	2 x 20mm gland entry points
Class	Class 1
Colour	White
Colour Temperature	6500K
Compliance	UKCA, CE
Emergency	3 Hours / 180 Mins - Non-maintained
Frequency	50/60Hz
Guarantee	2 Years
IP Rating	IP65
Lamp Life (L70/B50)	30,000 Hours
Lens Colour	Clear
Lumens Emergency	297lm
Manual Test Button	Yes
Material	Polycarbonate body & diffuser
Mounting	Surface
Operating Temperature	0° to 40°C
Self-Test	Yes
Suitable for	Indoor or outdoor use
Voltage Rating	220-240V
Wattage	3W
Weight	0.910kg
Depth	89mm
Height	281mm
Width	297mm

Errors and omissions excepted (E&OE). All information is subject to change without notice and is correct at the time of print. Refer to issue number and date below.

Tel: +44 (0)1302 769 966