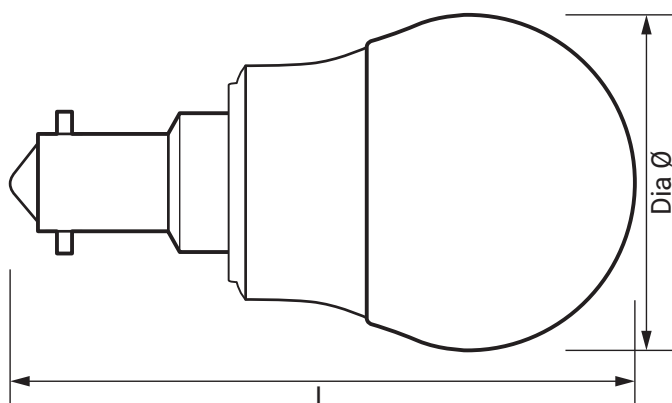


## Essential 4.7W LED SBC Golfball Lamp 2700K

Product Ref: **FEDR4.7SBC**

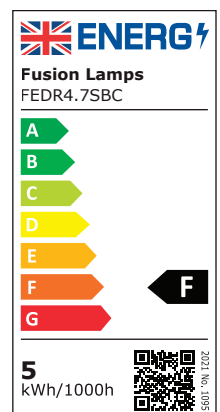
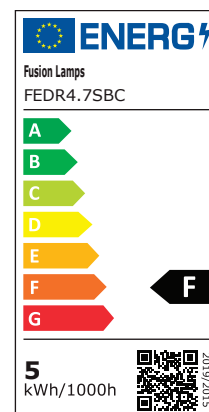
### Technical Features:

- Low power consumption
- Long lamp life
- Low surface temperature
- Up to 85% energy savings
- Polycarbonate cover
- No UV output
- Suitable replacement for a 40W incandescent lamp
- Ideal for bedrooms, living rooms and other domestic applications



## Product Specification

Beam Angle	200°
Cap Type	SBC/B15
Colour	White
Colour Temperature	2700K
Compliance	UKCA, CE
CRI	80
Dimmable	No
Energy Rating	F
Guarantee	1 Year
Lamp Life (L70/B50)	15000 hours
Lamp Type	LED Golfballs
Lens Colour	Opal
Lumens	470lm
Lumens (Useful) 360°	470lm
Mercury Content	0mg
Switching Cycles	30000
Voltage Rating	230V
Wattage	4.7W
Weight	0.029kg
Diameter Ø	45mm
Length	80mm



Errors and omissions excepted (E&OE). All information is subject to change without notice and is correct at the time of print. Refer to issue number and date below.

Tel: +44 (0)1302 822 833 • fusion-lamps.co.uk