

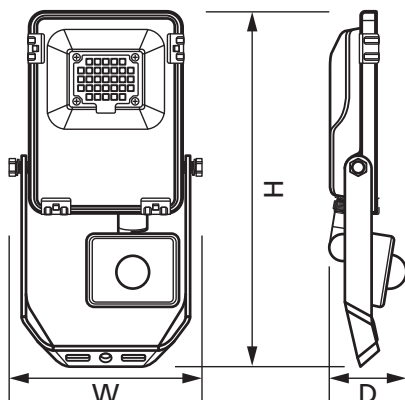
Guardian

15W LED IP65 Floodlight with PIR

Product Ref: **FGF15PIR**

Technical Features:

- High lumen output
- Die-cast aluminium black powder coated body
- Pre-wired with 1m cable
- Can be installed without removing the bracket
- Built-in IP65 PIR sensor with manual override function
- Ground spike (FGFS) and extension arm (FGFEA) available - sold separately
- 5 Year guarantee and 1 year on-site warranty



Product Specification

Beam Angle	120°
Cable Length	1m
Class	Class I
Colour	Black
Colour Temperature	4000K
Compliance	UKCA, CE
CRI	80
Detection Angle	120°
Detection Range	10m
Finish	Powder Coated
Frequency	50/60 Hz
Guarantee	5 Years
IK Rating	IK08
IP Rating	IP65
Lamp Life (L70/B50)	50000 hours
Lens Colour	Clear
Lumens	1950lm
Material	Die-Cast Aluminium
Mounting	Surface
Operating Temperature	-20 - +40°C
Sensor	PIR
Supplied With	1 metre of pre-wired cable and mounting bracket
Timer Adjustment	10secs - 7mins
Voltage Rating	230V
Wattage	15W
Weight	0.600kg
Depth	51mm
Height	250mm
Width	129mm

Errors and omissions excepted (E&OE). All information is subject to change without notice and is correct at the time of print. Refer to issue number and date below.

Tel: +44 (0)1302 769 966