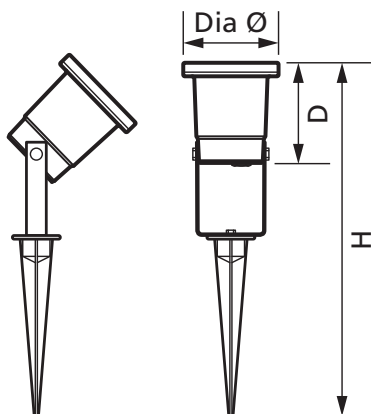


GROUND SPIKE GU10

Product Ref: **FGSBG2**

Technical Features:

- Aluminium body with black finish
- Suitable for GU10 Lamps (Max 35W)
- Lamp not included



Product Specification

Cable Length	2m
Class	Class I
Colour	Black
Compliance	UKCA, CE
Frequency	50/60Hz
Guarantee	1 Year
IP Rating	IP65
Lens Colour	Clear
Material	Aluminium
Mounting	Ground Spike
Suitable for	LED GU10 Max 1 x 5W Halogen GU10 Max 1 x 35W
Voltage Rating	220-240V
Weight	0.520kg
Depth	95mm
Diameter Ø	98mm
Height	315mm
Spike	160mm

Errors and omissions excepted (E&OE). All information is subject to change without notice and is correct at the time of print. Refer to issue number and date below.

Tel: +44 (0)1302 769 966