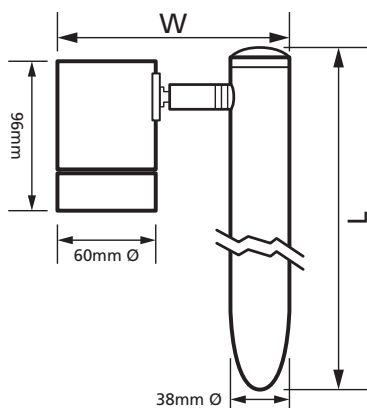


RAISED GROUND SPIKE GU10 Black Single Head

Product Ref: **FGSRBS**

Technical Features:

- Aluminium black powder coated body
- GU10 lamp holder
- Suitable for GU10 LED lamps (Max 35W)
- Pre-wired with 2m cable
- LAMP NOT INCLUDED



Product Specification

Cable Length	2m
Cap Type	GU10
Class	Class 1
Colour	Black
Compliance	UKCA, CE
Frequency	50/60Hz
Guarantee	2 Years
IP Rating	IP65
Lamp(s) Included	No
Lens Colour	Clear
Material	Aluminium Body / Glass Diffuser
Mounting	Ground Spike
Suitable for	LED GU10 Max 1 x 5W Halogen GU10 Max 1 x 35W
Voltage Rating	220-240V
Wattage	35W
Weight	0.670kg
Depth	60mm
Height	600mm
Width	142mm



Errors and omissions excepted (E&OE). All information is subject to change without notice and is correct at the time of print. Refer to issue number and date below.

Tel: +44 (0)1302 769 966