

7W 230V GU10 LED 74mm Lamp 6500K

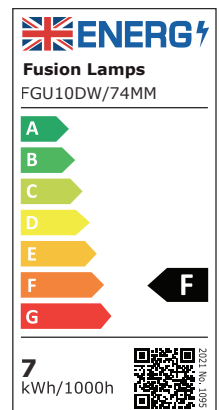
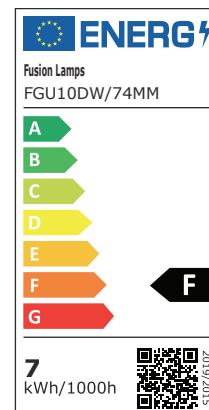
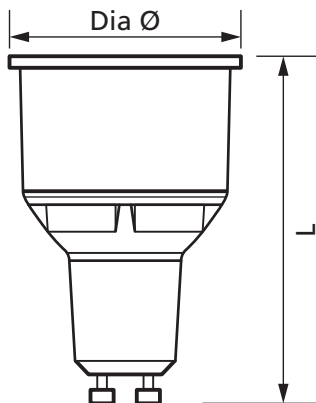
Product Ref: **FGU10DW/74MM**

Technical Features:

- Low power consumption
- Long lamp life
- Low surface temperature
- Up to 90% energy savings
- No UV output
- Suitable replacement for a 50W halogen lamp
- Ideal for accent and general lighting (eg; hotels, shops, offices)

Product Specification

Beam Angle	38°
Cap Type	GU10
Colour	White
Colour Temperature	6500K
Compliance	UKCA, CE
CRI	80
Energy Rating	F
Guarantee	2 Years
Lamp Life (L70/B50)	20000 hours
Lamp Type	LED GU10
Lens Colour	Clear
Lumens	600lm
Lumens (Useful) 90°	510lm
Mercury Content	0mg
Suitable For	Accent and general lighting (eg; hotels, shops, offices)
Switching Cycles	20000
Voltage Rating	230V
Wattage	7W
Weight	0.037kg
Diameter Ø	50mm
Length	74mm



Errors and omissions excepted (E&OE). All information is subject to change without notice and is correct at the time of print. Refer to issue number and date below.

Tel: +44 (0)1302 822 833 • fusion-lamps.co.uk