

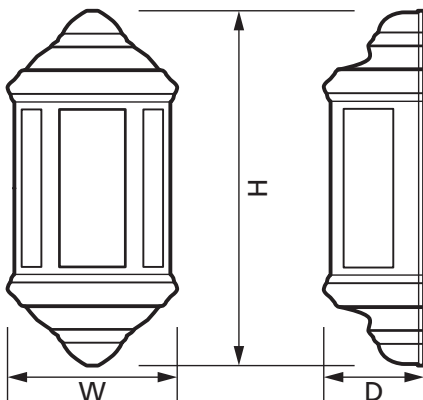
HALF LANTERN

7W LED Half Lantern Black

Product Ref: **FHL**

Technical Features:

- ABS Body with PC Diffusers
- Push-fit (loop-in and loop-out) terminal block
- Reduced maintenance - No lamp replacements



Product Specification

Average Life	30,000hrs (L70/B50)
Beam Angle	120°
Class	Class II
Colour	Black
Colour Temperature	4000K
Compliance	UKCA, CE
Energy Rating	E
Frequency	50/60Hz
Guarantee	3 Years
IP Rating	IP44
Lens Colour	Opal
Lumens	600lm
Material	ABS Body with PC Diffusers
Mounting	Surface
Operating Temperature Range	-10° to +40°C
Suitable for	Gate Ways, Entrances and Patios
Voltage Rating	230V
Wattage	7W
Weight	0.550kg
Depth	98mm
Height	362mm
Width	176mm

Errors and omissions excepted (E&OE). All information is subject to change without notice and is correct at the time of print. Refer to issue number and date below.

Tel: +44 (0)1302 769 966