

120W Nano Street Light with Nema Socket

Product Ref: **FNANO120NEMA**

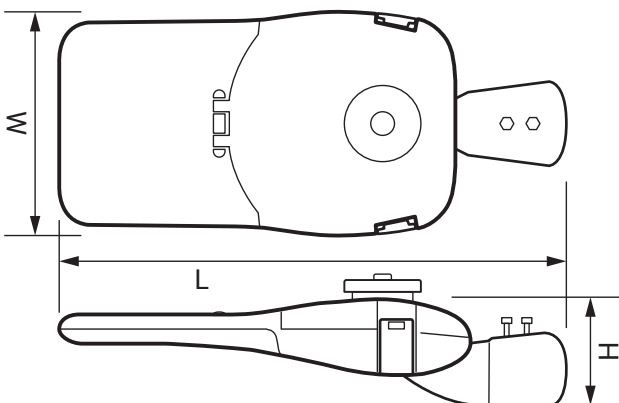
Technical Features:

- Die-cast aluminium powder-coated body
- NEMA socket with shorting cap (optional photocell sensor available separately)
- Pre-wired with 0.3m power cable
- Toolless gear tray removal for ease of maintenance
- Type II Distribution
- LED Lifetime: 50,000hrs (L70)
- Suitable for 76mm/60mm pole or outreach arm mounting
- Adjustable spigot $\pm 15^\circ$



Product Specification

| | |
|-----------------------|---------------------------------------|
| Beam Angle | 80 x 150° |
| Class | Class 1 |
| Colour | Grey |
| Colour Temperature | 4000K |
| Compliance | UKCA, CE |
| CRI | >70 |
| Frequency | 50Hz |
| Guarantee | 5 Years |
| In rush Current | 125A |
| IK Rating | IK08 |
| IP Rating | IP66 |
| Lamp Life | 50000 hours |
| Lumens | 18000lm |
| Material | Aluminium Die-Cast |
| Mounting | 76/60mm pole or outreach arm mounting |
| Operating Temperature | -15 - +40°C |
| Surge Protection | Yes |
| Type | Type II Distribution |
| Voltage Rating | 277V |
| Wattage | 120W |
| Weight | 6.200kg |
| With Photocell | No |
| Depth | 141mm |
| Length | 599mm |
| Width | 256mm |



Errors and omissions excepted (E&OE). All information is subject to change without notice and is correct at the time of print. Refer to issue number and date below.

Tel: +44 (0)1302 769 966 • fusion-luminares.co.uk