

40W Nano Street Light with Nema Socket

Product Ref: **FNANO40NEMA**

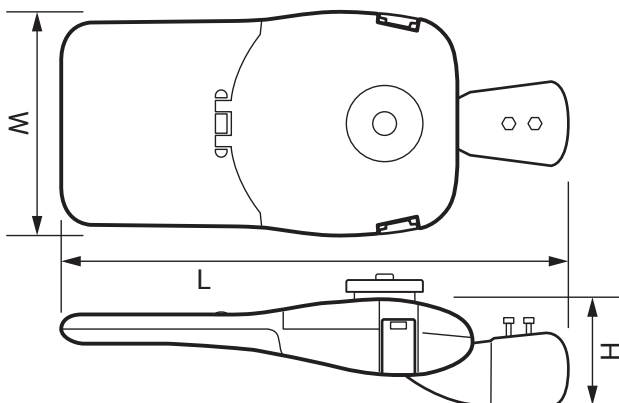
Technical Features:

- Die-cast aluminium powder-coated body
- NEMA socket with shorting cap (optional photocell sensor available separately)
- Pre-wired with 0.3m power cable
- Toolless gear tray removal for ease of maintenance
- Type II Distribution
- LED Lifetime: 50,000hrs (L70)
- Suitable for 76mm/60mm pole or outreach arm mounting
- Adjustable spigot $\pm 15^\circ$



Product Specification

Beam Angle	80 x 150°
Class	Class 1
Colour	Grey
Colour Temperature	4000K
Compliance	UKCA, CE
CRI	>70
Frequency	50Hz
Guarantee	5 Years
In rush Current	55A
IK Rating	IK08
IP Rating	IP66
Lamp Life	50000 hours
Lumens	6000lm
Material	Aluminium Die-Cast
Mounting	76/60mm pole or outreach arm mounting
Operating Temperature	-15 - +40°C
Surge Protection	Yes
Type	Type II Distribution
Voltage Rating	277V
Wattage	40W
Weight	4.500kg
With Photocell	No
Depth	135mm
Length	578mm
Width	228mm



Errors and omissions excepted (E&OE). All information is subject to change without notice and is correct at the time of print. Refer to issue number and date below.

Tel: +44 (0)1302 769 966 • fusion-luminares.co.uk