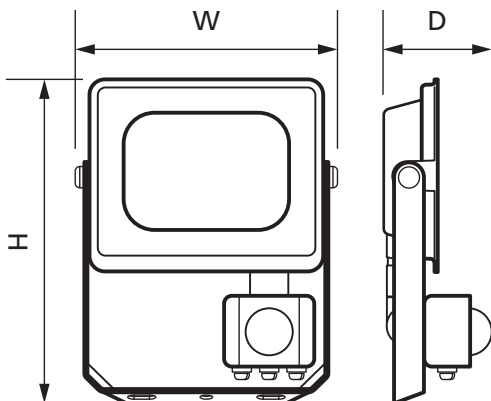


PROTECTOR 10W LED PIR Floodlight

Product Ref: **FPF10PIR**

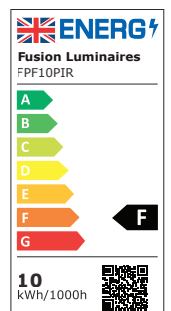
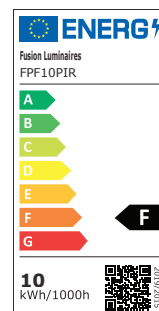
Technical Features:

- Die cast aluminium black powder coated body
- Pre-wired with 1m cable
- Can be installed without removing the bracket
- Built-in IP65 PIR Sensor (Manual Override)
- 800lm (Useful) 1000lm (Total)



Product Specification

Beam Angle	120°
Cable Length	1m
Class	Class 1
Colour	Black
Colour Temperature	4000K
Compliance	UKCA, CE
CRI	>80
Detection Angle	120°
Detection Range	4-10m (adjustable)
Energy Rating	F
Finish	Powder Coated
Frequency	50/60Hz
Guarantee	3 Years
IK Rating	IK07
IP Rating	IP65
Lamp Life (L70/B50)	25000 hours
Lens Colour	Clear
Lumens	1000lm
Lumens (Useful) 120°	800lm
Lux Adjustment	Yes
Material	Die Cast Aluminium
Mounting	Surface 1.8m - 2.5m
Mercury Content	0mg
Operating Temperature	-20 - +40°C
Sensor	PIR
Supplied With	1 metre of pre-wired cable and mounting bracket
Timer Adjustment	Min. 3sec±3sec; Max. 8min±2min (adjustable)
Voltage Rating	240V
Wattage	10W
Weight	0.300kg
Depth	56mm
Height	158mm
Width	127mm



Errors and omissions excepted (E&OE). All information is subject to change without notice and is correct at the time of print. Refer to issue number and date below.

Tel: +44 (0)1302 769 966