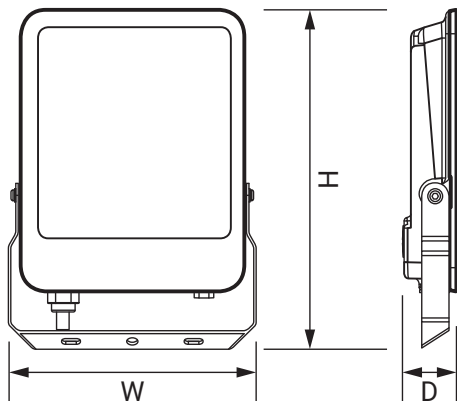


50W Protector LED Colour Switchable Floodlight

Product Ref: **FPF50CC**

Technical Features:

- Die cast aluminium black powder coated body
- Pre-wired with 1m cable
- Can be installed without removing the bracket
- 3CCT (3000K/4000K/6500K)
- Up to 5000 Lumens
- Beam Angle: 110°
- PIR option available



Product Specification

Beam Angle	110°
Cable Length	1m
Class	Class 1
Colour	Black
Colour Temperature	Selectable - 3000/4000/6500 K
Compliance	UKCA, CE
CRI	>80
Finish	Powder Coated
Frequency	50/60Hz
Guarantee	3 Years
IP Rating	IP65
Lamp Life (L70/B50)	25000 hours
Lens Colour	Opal
Lumens	5000lm
Material	Die Cast Aluminium
Mounting	Surface
Operating Temperature	-20 - +40°C
Supplied With	1 metre of pre-wired cable and mounting bracket
Voltage Rating	240V
Wattage	50W
Weight	0.660kg
Depth	34mm
Height	226mm
Width	167mm

Errors and omissions excepted (E&OE). All information is subject to change without notice and is correct at the time of print. Refer to issue number and date below.

Tel: +44 (0)1302 769 966 • fusion-luminares.co.uk