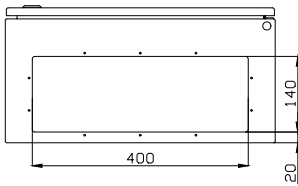
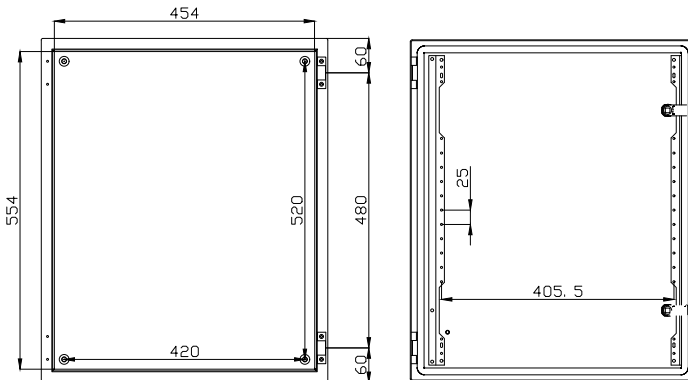


## Enclosed Fuse Switch GFS IP55MBS

Type: GFS3400



SWITCH FUSE		400A
Rated insulation voltage, $U_i$ [V]		1000
Rated thermal current, $I_{th}$ [A] <sup>1)</sup>		400
Nominal values with cable size [mm <sup>2</sup> ]		240
Rated operational current, $I_o$ [A]		
	400/415V	400
AC-21	500V	400
	690V	400
	400/415V	400
AC-22	500V	400
	690V	400
	400/415V	400
AC-23	500V	400
	690V	400
Rated operational power for 3-phase (1500 r.p.m.) squirrel cage induction motors [kW]		
	400/415V	200
AC-23	500V	250
	690V	355
Rated fused short circuit current		
Back-up fuse [A]		400
R.M.S. value, $I_s$ [kA]		80
Peak value [kA]		26
Impulse withstand voltage, $U_{imp}$ [kV]		12
Rated short circuit making capacity, $I_{cm}$ [kA]		
	690V	12
Rated short time withstand current (1 s), $I_{cw}$ [kA]		
	690V	7
Rated breaking capacity, $I_{cn}$ [A]		
	400/415V	3200
AC-23	500V	3200
	690V	3200
Electrical endurance (operations)		2000
Mechanical endurance (operations)		10000
Terminals / Bolt size Cu [mm <sup>2</sup> ]		M10
Max terminal torque [Nm]		30-44
	DIN	2
	BS88	B1-B4
Fuse type		
	- size of screws	M10
	- fixing centres [mm]	111
	- torque [Nm]	15

### Enclosure

Construction	2mm cold-rolled steel plate
Degree of protection	IP55
Impact resistance	IK10
Temperature range	-25 °C / +40 °C
Maximum voltage	1000 V AC / 1500 V DC
Colour	RAL 7035.
Paint	Epoxy-polyester paint
Height (mm)	600
Width (mm)	500
Depth (mm)	250



Dokument/document		Utgava datum/edition date
Försäkran om överensstämmelse/ Declaration of conformity		29/06/2016
Avdelning/department Kvalite/Quality		
Ansvarig/prepared Magnus Arvidsson	Version 5	Sida/page 1 av/of 1

Supplier/Tillverkare:

*GARO AB*  
*Box 203*  
*S-335 25 GNOSJO*  
*Sweden*

Telephone: +46 (0)370 33 28 00  
Telefax: +46 (0)370 33 28 50

Supplier established within EU/Ombud etablerad inom EG

Supplier of equipment /Materielslag : Enclosed Switchgear

Trade Mark/ Varumärke: GARO

Type Designation / Typbeteckning: GSW..., GFS..., GCO...,.

We hereby declare that our product fulfils the requirements of following EC directives/  
Vi intygar härmed att vår produkt uppfyller krav enligt följande EU direktiv:

- The Low Voltage Directive (LVD) 2014/35/EU / Lågspänningsdirektivet (LVD) 2014/35/EU.
- Electromagnetic compatibility (EMC) 2004/108/EU / Elektromagnetisk kompatibilitet (EMC) 2004/108/EG.
- RoHS Directive (RoHS) 2011/65/EU / RoHS direktivet (RoHS) 2011/65/EG.
- No electromagnetic compatibility (EMC) immunity or emission tests are required on the assembly/  
Produkten innehåller inte elektroniska apparater som påverkas enligt förbehållen enligt direktivet  
(EMC) 2004/108/EG.

The following harmonised standards (latest edition) or technical specifications which comply with good engineering practice in safety matters in force within the EU have been used in the design: /

Följande harmoniserade standarder (senaste utgåva) eller tekniska specifikationer som uppfyller god säkerhetsteknik praxis inom EG har använts i konstruktionen: EN 62; 69-1.'GP '82; 69/5

- The equipment conforms completely with the above stated harmonised standards or technical specifications. /  
Materielen överensstämmer helt med ovan angivna harmoniserade standarder eller tekniska specifikationer.

Or/eller

- The equipment confirms only partially with the above stated harmonised standards or technical specifications but complies with good practice in safety matters in force within the EU. /  
Materielen överensstämmer endast delvis med ovan angivna harmoniserade standarder eller tekniska specifikationer, men uppfyller god säkerhetsteknik praxis inom EG.

We have product surveillance according to CENELEC's harmonised requirements, documents CCA-201.

Garo AB  
Company/Företag

2016-06-29  
Date/Datum

Sign/Underskrift

Environmental- and Quality Manager/Kvalitets- och Miljöchef  
Position/Befattning

Paul Fox  
Name / Namnförtydligande