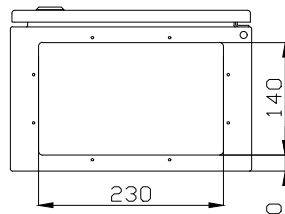
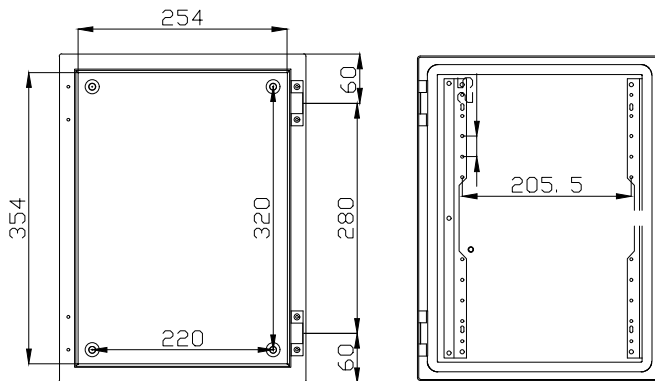


Enclosed Isolator Switch GSW IP55

Type: GSW3/4 200



LOAD BREAK SWITCHES

200 Amp

| | | |
|---|----------|-------|
| Rated insulation voltage, U_i [V] | | 1000 |
| Rated thermal current, I_t [A] | | 200 |
| Nominal values with cable size [mm ²] | | 95 |
| Rated operational current, I_o [A] | | |
| | 400/415V | 200 |
| AC-21 | 500V | 200 |
| | 690V | 200 |
| | 400/415V | 200 |
| AC-22 | 500V | - |
| | 690V | - |
| | 400/415V | 200 |
| AC-23 | 500V | - |
| | 690V | - |
| Rated operational power for 3-phase (1500 r.p.m.) squirrel cage induction motors [kW] | | |
| | 400/415V | 110 |
| | 500V | - |
| | 690V | - |
| Rated fused short circuit current | | |
| Back-up fuse [A] | | 250 |
| R.M.S. value, I_k [kA] | | 50 |
| Peak value [kA] | | 22 |
| Impulse withstand voltage, U_{imp} [kV] | | 8 |
| Rated short circuit making capacity, I_{cm} [kA] | | |
| | 690V | 11.4* |
| Rated short time withstand current (1 s), I_{sw} [kA] | | |
| | 690V | 6.5* |
| Rated breaking capacity, I_{cn} [A] | | |
| | 400/415V | 1600 |
| | 500V | - |
| | 690V | - |
| Electrical endurance [operations] | | 2000 |
| Mechanical endurance [operations] | | |
| Terminals / Bolt size Cu [mm ²] | | M8 |
| Max terminal torque [Nm] | | 15-22 |
| *415 V **2.5 kA when CCC marked | | |

Enclosure

| | |
|----------------------|-----------------------------|
| Construction | 2mm cold-rolled steel plate |
| Degree of protection | IP55 |
| Impact resistance | IK10 |
| Temperature range | -25 °C / +40 °C |
| Maximum voltage | 1000 V AC / 1500 V DC |
| Colour | RAL 7035 |
| Paint | Epoxy-polyester paint |
| Height (mm) | 400 |
| Width (mm) | 300 |
| Depth (mm) | 200 |



| | | |
|---|--------------|---------------------------|
| Dokument/document | | Utgava datum/edition date |
| Försäkran om överensstämmelse/ Declaration of conformity | | 29/06/2016 |
| Avdelning/department Kvalite/Quality | | |
| Ansvarig/prepared Magnus Arvidsson | Version 5 | Sida/page 1 av/of 1 |

Supplier/Tillverkare:

GARO AB
Box 203
S-335 25 GNOSJO
Sweden

Telephone: +46 (0)370 33 28 00
Telefax: +46 (0)370 33 28 50

Supplier established within EU/Ombud etablerad inom EG

Supplier of equipment /Materielslag : Enclosed Switchgear

Trade Mark/ Varumärke: GARO

Type Designation / Typbeteckning: GSW..., GFS..., GCO...,

We hereby declare that our product fulfils the requirements of following EC directives/
Vi intygar härmed att vår produkt uppfyller krav enligt följande EU direktiv:

- The Low Voltage Directive (LVD) 2014/35/EU / Lågspänningsdirektivet (LVD) 2014/35/EU.
- Electromagnetic compatibility (EMC) 2004/108/EU / Elektromagnetisk kompatibilitet (EMC) 2004/108/EG.
- RoHS Directive (RoHS) 2011/65/EU / RoHS direktivet (RoHS) 2011/65/EG.
- No electromagnetic compatibility (EMC) immunity or emission tests are required on the assembly/
Produkten innehåller inte elektroniska apparater som påverkas enligt förbehållen enligt direktivet
(EMC) 2004/108/EG.

The following harmonised standards (latest edition) or technical specifications which comply with good engineering practice in safety matters in force within the EU have been used in the design:/

Följande harmoniserade standarder (senaste utgåva) eller tekniska specifikationer som uppfyller god säkerhetsteknik praxis inom EG har använts i konstruktionen: EN 60947-1, EN 60947-3

- The equipment conforms completely with the above stated harmonised standards or technical specifications./
Materielen överensstämmer helt med ovan angivna harmoniserade standarder eller tekniska specifikationer.

Or/Eller

- The equipment confirms only partially with the above stated harmonised standards or technical specifications but complies with good practice in safety matters in force within the EU./
Materielen överensstämmer endast delvis med ovan angivna harmoniserade standarder eller tekniska specifikationer, men uppfyller god säkerhetsteknik praxis inom EG.

We have product surveillance according to CENELEC's harmonised requirements, documents CCA-201.

Garo AB
Company/Företag

2016-06-29
Date/Datum

Sign/Underskrift

Environmental- and Quality Manager/Kvalitets- och Miljöchef
Position/Befattning

Paul Fox
Name / Namnförtydligande