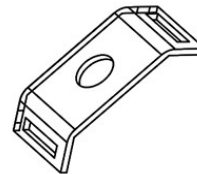
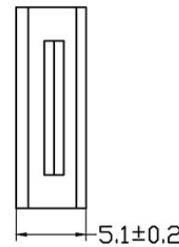
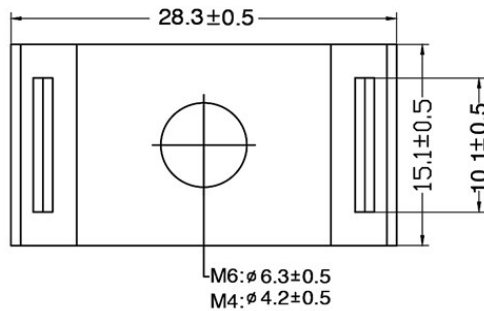


# Cable Ties Bases - Stainless Steel

## NORSLO

- + Stainless Steel bases, designed to compliment S/S cable ties
- + Can be used with cable ties upto 10mm wide
- + Stainless Steel grade AISI.304



	SSBM4	SSBM6
<b>Description</b>	Stainless Steel Bases	
<b>Barcode</b>	5012739648380	5012739648397
<b>Pack Qty</b>	100	
<b>Dimensions (mm)</b>	L28.3 x W15.1 X H5.1mm	L28.3 x W15.1 X H5.1mm
<b>Fixing Hole Size</b>	4.2mm (M4)	6.3mm (M6)
<b>Max Tie Width</b>	10	
<b>Material Thickness</b>	1mm	
<b>Working Temperature</b>	-80°C - +538°C	
<b>Material</b>	Stainless Steel grade AISI.304	
<b>Weight (g)</b>	3g	