

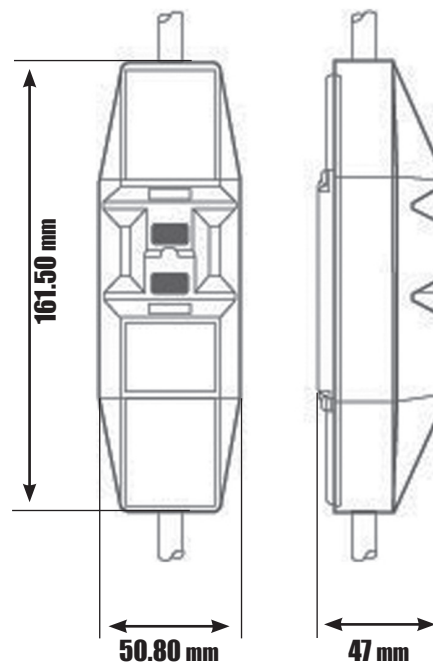
The PowerBreaker J62 provides added personal protection against electrocution when using electrical equipment. The units have double pole protection and are re-wireable. For use in adverse conditions, such as building sites, plant applications, industrial manufacturing, where water presents a danger and rough handling is expected. Also trips on loss of power supply, preventing unexpected start up of equipment.

- + Suitable for BS/European power supply systems
- + Robust construction
- + Double pole breaking
- + Mechanical flag to indicate contact position
- + Separate 'Test' and 'Reset' buttons



J62-T

J62-Y



	J62-T	J62-Y
Product Finish	Orange	Yellow
Barcode	5012739606441	5012739606458
Product Weight	420g	
Product Dimensions	H 161.50 x W 50.80 x D 47mm	
Voltage	240V AC ~ 50/60Hz	110V AC ~ 50/60Hz
Max Operating Current	16A	
IP Rating	IP65 Note: To ensure the IP rating, terminals & cover should be sealed with the supplied sealant (2 x 14ml tubes).	
Cable Type	1.5mm ² - 3 Core Flexible Cable (Dia 7.62 - 11.7mm)	
Rated Trip Current	30mA	
Typical Trip Speed	<40mS	
RCD Contact Break	Double Pole	
Latching	Active - Electrical, needs resetting after Power Loss	
Main Housing Material	Polycarbonate	
Guarantee	1 Year	
Conforms To	IEC 61540	