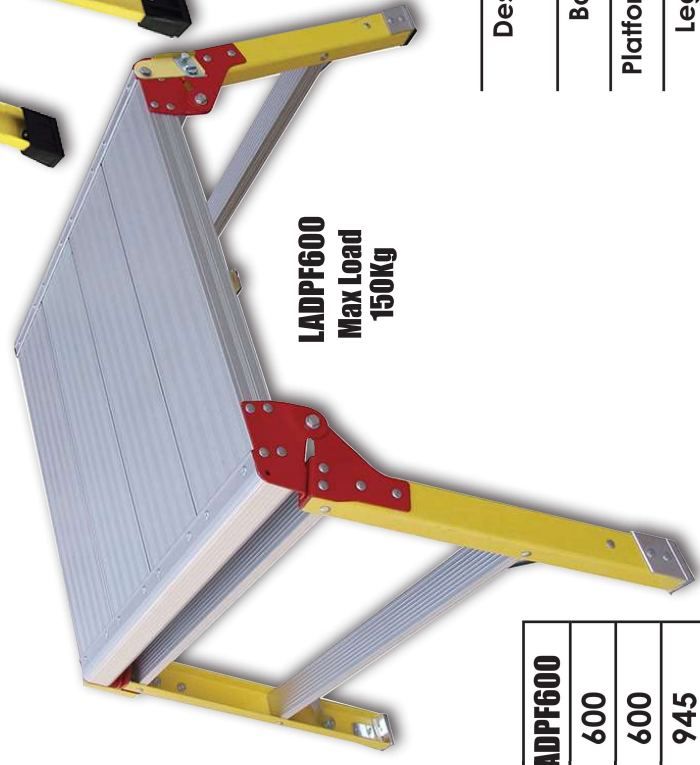


WORK PLATFORMS - Fibre Glass / Aluminium

NORSLO

- + Choice of two platform sizes
- + Double lock' / 'Easy Lock'
- + Anti-slip standing surface & rungs
- + Large Slip resistant feet for greater safety
- + Easy to store & transport



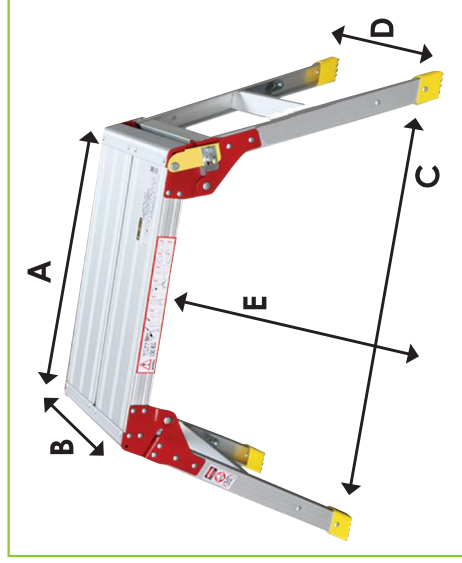
Key	Size mm	LADPF300	LADPF600
Platform Length	A	600	600
Platform Width	B	300	600
Open Length	C	955	945
Open Width	D	410	690
Platform Height	E	480	470

	LADPF300	LADPF600
Description	300 x 600 Work Platform	600 x 600 Work Platform
Barcode	5012739653919	5012739653926
Platform Material	Aluminium	
Leg & Feet Material	Fibre Glass Slip Resistant Feet	Fibre Glass
Product Weight	5.05Kg	7.7Kg
Guarantee	1 Year	

WORK PLATFORM - Aluminium

NORSLO

- + Lightweight & strong
- + Durable, tough aluminium material
- + Easy to store & transport
- + Non-slip platform & gripping feet for greater safety



Key	Size mm	LADP
Platform Length	A	500
Platform Width	B	300
Open Length	C	965
Open Width	D	390
Platform Height	E	480

	LADP
Description	500 x 300 Work Platform
Barcode	5012739639630
Platform Material	Aluminium
Leg & Feet Material	Aluminium Legs & Rubber Feet
Product Weight	4.65Kg
Guarantee	1 Year
Conforms To	2PFG1240