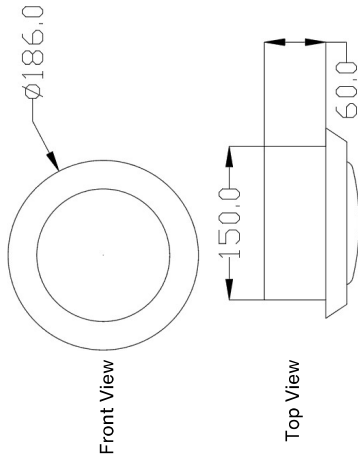


Extract/supply ceiling valve, ø 150 mm, white

Article number: GG67W

Technical Specification

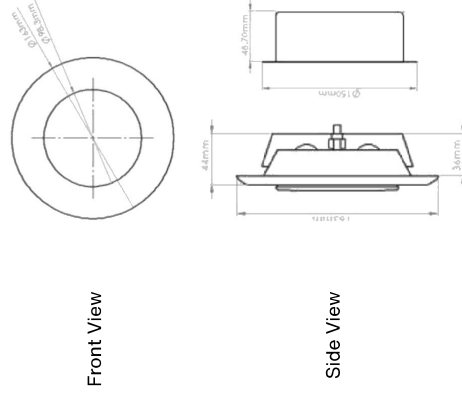
Finish	White (RAL 9010)
Spigot diameter	150 mm
Spigot length	60 mm
Facia diameter	186 mm
Weight	0.3 kg
Lockable	Yes
Adjustable	Yes
Info	Supplied with mounting collar
Rec. max flow	25 l/s (90 m ³ /hr)

**Dimensions****125 mm Round White Metal Fire Rated Extract Ceiling Valve**

Article number: GG125FREV

Technical Specification

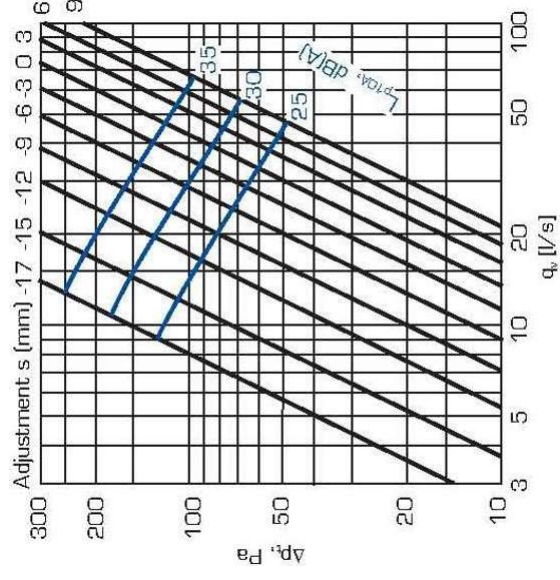
Fire rating	Up to 60 minutes to BS EN 1365-2
Finish	White (RAL 9010)
Spigot diameter	124 mm
Spigot length	46.7 mm
Facia diameter	163 mm
Weight	0.39 kg
Lockable	Yes
Adjustable	Yes
Info	Supplied with bayonet socket. The project fire consultant should review the test data to ensure compliance for the types of floor system being used.
Rec. max flow	30 l/s (108 m ³ /h)

**Dimensions**

Front View

Side View

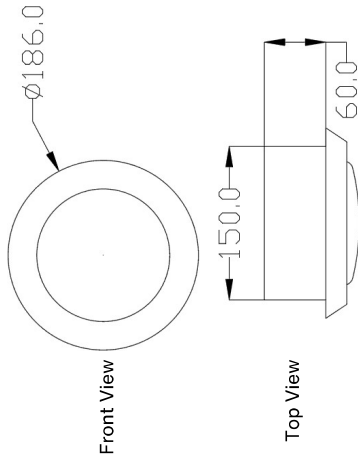
Test Type	Fire Test Lab	Report Number	Construction	Fire Rating
Full Scale Loaded Floor Fire Test to BS EN 1365-2	The Building Test Centre	BTC18074F / BTC 21144FA	Solid Timber Joist Floor	Up to 60 min
Full Scale Loaded Floor Fire Test to BS EN 1365-2	Warrington Fire	422978	I-Beam Joist Floor	Up to 30 min
Full Scale Loaded Floor Fire Test to BS EN 1365-2	Warrington Fire	394530	Metal Web Joist	Up to 30 min

**Extract/supply ceiling valve, ø 150 mm, white**

Article number: GG67W

Technical Specification

Finish	White (RAL 9010)
Spigot diameter	150 mm
Spigot length	60 mm
Facia diameter	186 mm
Weight	0.3 kg
Lockable	Yes
Adjustable	Yes
Info	Supplied with mounting collar
Rec. max flow	25 l/s (90 m ³ /hr)

**Dimensions**

Front View

Top View

