

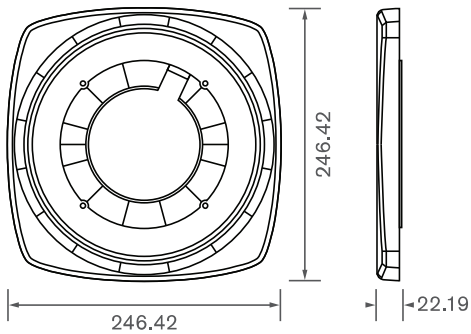
PFACV2

Picture frame adaptor / decorative cover for Unity

Physical specification

All measurements in millimetres

Materials: White satin finish
ABS Plastic



Front

Side

Features and benefits

Designed to provide a perfect aesthetic finish when Unity is used as a replacement product in existing 150mm wall installations.

Installation

Suitable for:
Continuous Extract Fans:
Unity

