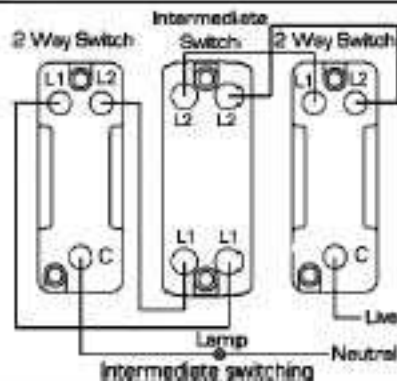
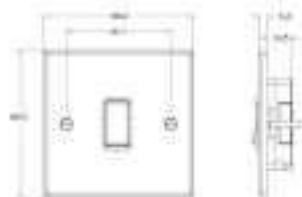


**Hamilton** HARTLAND  
1 GANG INTERMEDIATE  
10AX ROCKER SWITCH



Order Code :  
74 R31 SS-W

Hartland Satin Steel 1 gang Intermediate  
10AX Rocker. Standard Insert will be Satin  
Steel with a White surround.

#### Attributes

Primary Range	Hartland
Insrt	R31
Plate material	Metal
Size (single) height	88mm
Size (single) width	88mm
Size (single) depth	5mm
Box fixing hole centres	80.3mm
Grid fixing hole centres	Grid fixing inserts are available on Hartland plates. For full details refer to GRID-IT technical pages and GRID-IT catalogue.
Minimum wall box depth	25mm
Current rating	10AX
Voltage	220/250V AC
Max load	10 Amp inductive
IP rating	IP2XD
Switched Poles	Single
Contact Gap Minimum	3mm
Terminal Capacity 1	5 x 1mm <sup>2</sup>
Terminal Capacity 2	4 x 1.5mm <sup>2</sup>
Terminal Capacity 3	1 x 2.5mm <sup>2</sup>
Terminal Capacity 4	1 x 4mm <sup>2</sup> Multi-Strand
Terminal Capacity 5	1 x 6mm <sup>2</sup>
Earth Terminal Capacity 1	5 x 1mm <sup>2</sup>
Earth Terminal Capacity 2	4 x 1.5mm <sup>2</sup>
Earth Terminal Capacity 3	3 x 2.5mm <sup>2</sup>
Earth Terminal Capacity 4	1 x 4mm <sup>2</sup> Multi-Strand
Earth Terminal Capacity 5	1 x 6mm <sup>2</sup>
Product Class 1	Must be earthed
Ambient Operating Temperature	-5Å° to +40Å°C
Recommended Location	Indoor use only
Max installation Altitude	2000m
BS EN ISO Standard	BS EN 60869-1
Patents And Trademarks	Trade Mark No. 2344778