

# DATASHEET

# Hamilton®

making connections beautifully

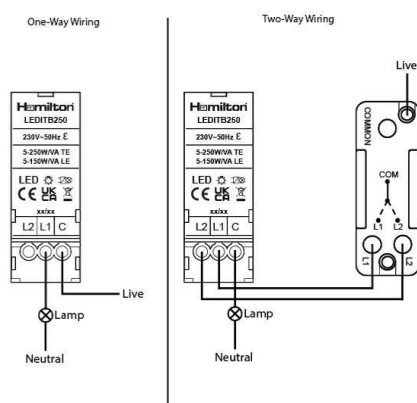
Code: 841XLEDITB100

Sheer Dimmers > 100W LED Dimmers

## Product Image



## Wiring



## Dimensions

<b>Insert Type</b>	1 gang 100W LED Trailing/Leading Edge Push On/Off Rotary 2 Way Switching Dimmer
<b>Insert Colour</b>	Satin Steel
<b>Plate Finish</b>	Satin Steel
<b>EAN13 Barcode</b>	5017504080662
<b>Commodity Code</b>	85365005
<b>Luckins TSI</b>	403374430
<b>ETIM Class</b>	EC000025
<b>Dimensions(Nominal)</b>	Single: Height = 86.0mm Width = 86.0mm Depth = 1.5mm
<b>Weight</b>	138 GR
<b>Fixing Hole Centres</b>	Box Fixing = 60.3mm Grid Fixing = N/A
<b>Minimum Wall Box Depth</b>	35mm
<b>Switched Poles</b>	Single
<b>Current Rating</b>	0.4A
<b>Voltage</b>	230V AC
<b>Maximum Load</b>	5-100W (10 LED Lamps MAX)
<b>Mains Frequency</b>	50Hz
<b>IP Rating</b>	IP2XD
<b>Terminal Capacity 1</b>	2X1mm <sup>2</sup>
<b>Terminal Capacity 2</b>	2x1.5mm <sup>2</sup>
<b>Earth Terminal Capacity 1</b>	5x1mm <sup>2</sup>
<b>Earth Terminal Capacity 2</b>	4X1.5mm <sup>2</sup>
<b>Earth Terminal Capacity 3</b>	3X2.5mm <sup>2</sup>
<b>Earth Terminal Capacity 4</b>	1X4mm <sup>2</sup> Multi-Strand
<b>Earth Terminal Capacity 5</b>	1X6mm <sup>2</sup>
<b>Product Class 1</b>	Face plate must be earthed
<b>Ambient Operating Temperature</b>	-5°C to +40°C
<b>Recommended Location</b>	Internal Use Only
<b>Maximum Installation Altitude</b>	2000m
<b>Standard/Approval</b>	BS EN 60669-2-1

R Hamilton & Co Ltd, Unit 10 Carrick Business Centre,  
4-5 Bonville Road, Brislington, Bristol, BS4 5NZ

T: +44 (0)1747 860088

E: [info@hamilton-litestat.com](mailto:info@hamilton-litestat.com) | W: [www.hamilton-litestat.com](http://www.hamilton-litestat.com)

(WEB)

All accessories are manufactured under an accredited BS EN ISO 9001:2015 Quality Management System. It is the policy of the company to improve products as part of our development programme. Therefore, we reserve the right to alter designs and dimensions without prior notice. Illustrations and diagrams are reproduced within the limitations of reproduction and printing process and are not binding. Due to manufacturing processes we cannot guarantee an exact colour match and shadings of certain finishes. This datasheet was generated on 08/01/2026 E&OE

# DATASHEET

# Hamilton®

making connections beautifully

**Code:** 841XLEDITB100

**Sheer Dimmers > 100W LED Dimmers**

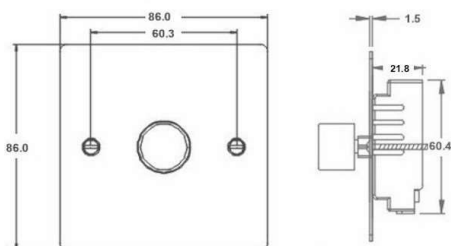
**Hamilton®**  
SHEER  
1XLEDITB  
LEDITB100 2 Way Dimmer

#### Additional Notes

Trailing Edge & Leading Edge Dimmer

#### Patents And Trade Marks

Sheer is a Registered Trade Mark No. 2296586



R Hamilton & Co Ltd, Unit 10 Carrick Business Centre,  
4-5 Bonville Road, Brislington, Bristol, BS4 5NZ

**T:** +44 (0)1747 860088

**E:** [info@hamilton-litestat.com](mailto:info@hamilton-litestat.com) | **W:** [www.hamilton-litestat.com](http://www.hamilton-litestat.com)

(WEB)

All accessories are manufactured under an accredited BS EN ISO 9001:2015 Quality Management System. It is the policy of the company to improve products as part of our development programme. Therefore, we reserve the right to alter designs and dimensions without prior notice. Illustrations and diagrams are reproduced within the limitations of reproduction and printing process and are not binding. Due to manufacturing processes we cannot guarantee an exact colour match and shadings of certain finishes. This datasheet was generated on 08/01/2026 E&OE