

# PURO G4

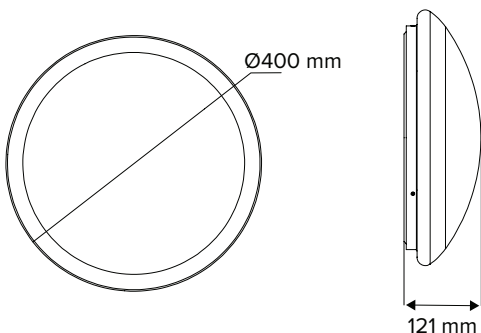
**PURO25W-EM-MS**  
SAP CODE: 2001991

The Puro G4 LED oyster light is designed to provide smooth light distribution and tritone colour capabilities. Available in different sizes and the option of combining a sensor and/or emergency option, the PURO G4 is a perfect all-round oyster light.

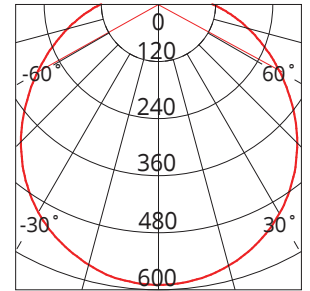
## APPLICATIONS

Bedrooms, Lounge Room, Dining Area, Laundry, Hallways, Staircase, Walk-in Wardrobes, Education Facilities, Hotel Common Areas, Storage Rooms, Temporary Installations, Hotel Rooms

## DIMENSION DIAGRAMS



## PHOTOMETRIC DIAGRAM



Unit: cd  
C0/180 120.8deg  
C90/270 120.9deg

Photometric diagram shown is for 4000K output.

## KEY INFORMATION

Power	25 W
Lumen Output	2125 / 2415 / 2250 lm
Mounting Type	Surface Mount
Dimming Type	Non-Dimmable
Body Colour	White
IP Rating	IP54
IK Rating	Not Applicable
Operating Ambient Temp.	0 to 45°C
Connection Type	PA14 Terminals
Driver	Integral
Warranty	5 yrs

## PHOTOMETRIC

Efficacy	85 / 97 / 90 lm/W
CCT	3000 / 4000 / 5700K
CRI	> 80
SDCM	< 5
UGR	N/A
Beam Angle	120°
Flicker-Free	No
Projected Lifespan	>50,000hrs @ Ta 25°C (L70)

## ELECTRICAL

Input Voltage	220-240Vac, 50/60Hz
Electrical Classification	Class I
Power Charging	2 W
Power Standby	3 W
Surge Protection	Overload / Short Circuit

## EMERGENCY INFORMATION

Test Type	Self-Test
Battery Type	LiFePO4 3.2V
Recharge Time	16 hrs
Discharge Time	15 hrs
Emergency Classification	C0:D40/C90:D40
Dimensions	Ø400 x 121 mm

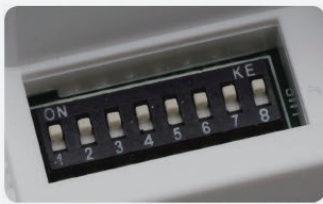
# PURO G4

## Intellisensor Setup

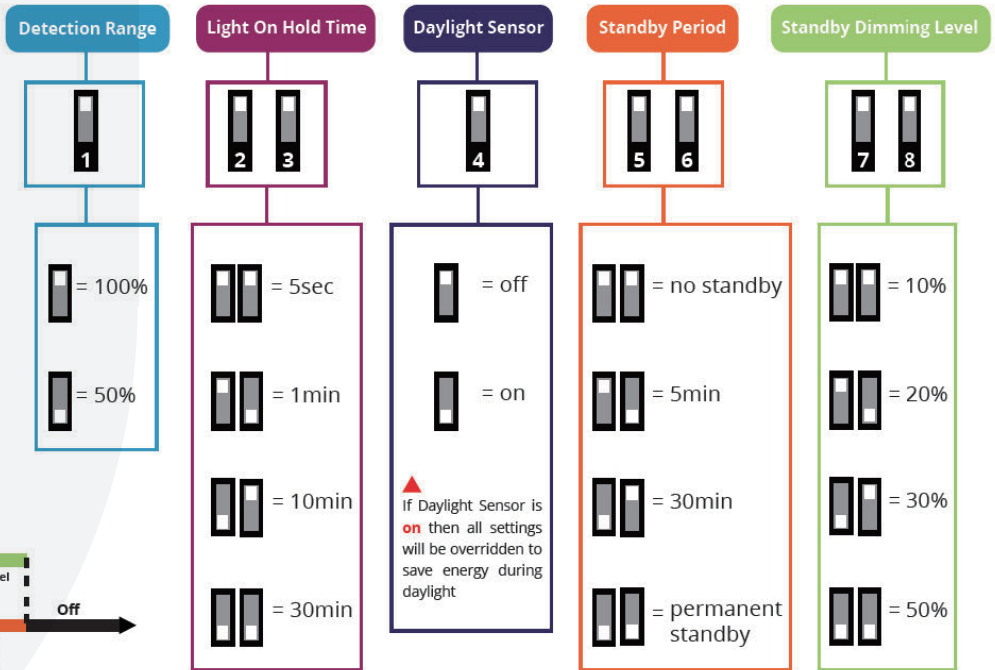
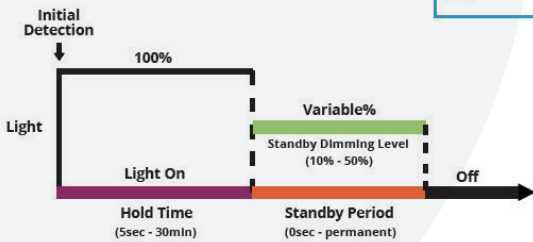
### INTELLISENSOR MANUAL



#### Easy to set DIM switches



#### Intellisensor function summary



The Haneco Intellisensor is a smart, easily adjustable, auto dimming function that will revolutionise standby lighting.

The 5-way programmable DIM switches give you total control.

- On time - for automatically full illumination up to 30 minutes.
- Standby time - for automatically dimmed standby mode, from 0 seconds to 30 minutes.
- Standby level - adjustable to 4 light levels to suit your security/safety requirements.
- Daylight override - to save energy during the day (>50Lux).
- Detection range - adjustable sensitivity, either 100% (approx. 5m) or 50% (approx. 3m).

Detection Range	100 / 50 %
Hold Time	5s / 1 min / 10 mins / 30 mins
Daylight threshold	Disable / 50 lux
Standby Period	Disable / 5 mins / 30 mins / + ∞
Standby Dimming level	10 / 20 / 30 / 50 %

The default setting (Switch 3 & 4 OFF) of the sensor is

Detection range	100%
Hold Time	1 min
Daylight threshold	50 lux
Standby Period	Disable
Standby Dimming level	10%