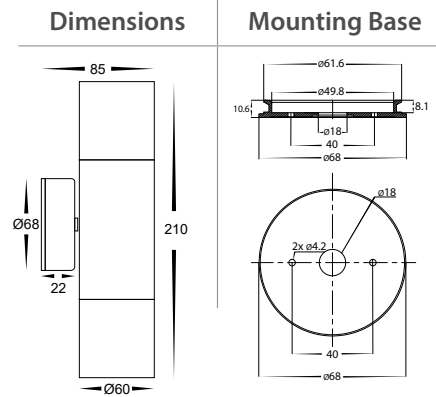


Tivah 316 Stainless Steel Up & Down Wall Light

Name	Tivah
Material	316 Stainless Steel
Colour	Stainless Steel
IP Rating	IP65
Colour Temp	<input type="checkbox"/> 3000k <input type="checkbox"/> 4000k <input type="checkbox"/> 5500k
IK Rating	IK10
Installation Type	Wall - Surface Mounted
Diffuser Type	Clear Glass
Lamp Base	Available in either GU10 or MR16
Max Wattage	2x 35w GU10 2x 20w MR16
Protection Class	GU10 = 1 (requires Earth) MR16 = 3 (Low Voltage - No Earth Required)
Lamp Expectancy	<30,000hrs*
CRI	CRI>80
SDCM	<6
UGR	<45
Dimmable	Yes - Triac Dimmable (HV1005T only)
Warranty	3 Years Replacement*



Product Ordering

Image	Part Number	Colour Temp	Lumens	Input Voltage	Beam Angle	Included LED	Barcode
	HV1005T		2x 240-560lm 2x 255-595lm 2x 270-630lm	240v AC	60°	TRI Colour 2x 3/5/7w GU10 LED	9350418014764
	HV1007GU10T	<input type="checkbox"/> 3000K <input type="checkbox"/> 4000K <input type="checkbox"/> 5500K	2x 270lm 2x 285lm 2x 300lm			120°	TRI Colour 2x 5w GU10 LED
	HV1007MR16T			12v DC	TRI Colour 2x 5w MR16 LED		9350418014788



Optional Havit Compatible Accessories

Image	Part Number	Colour Temp	Input Voltage	Beam Angle	Included LED
GU10 Dimmable Globe					
	HV9509	3000K 4000K 5500K	240v AC	60°	TRI Colour 5/7/9w GU10 LED
MR16 Optional Globes & Drivers					
	HV9507	3000K 4000K 5500K	12v DC	60°	TRI Colour 3/5/7w MR16 LED
	HV9508	3000K 4000K 5500K	24v DC	60°	TRI Colour 3/5/7w MR16 LED
	12v DC LED Drivers	See Catalogue or Website for full range of 12v DC LED Drivers			
Maintenance Kit					
	HV9971	Stainless Steel Maintenance Kit			

Related Products



Havit Lighting 143 Beauchamp Road, Matraville, N.S.W. 2036 | Phone: 02 9381 8300 | Fax: 02 9381 6661 | Email: sales@havit.com.au | Web: www.havit.com.au

*See Warranty Terms & Conditions for more information