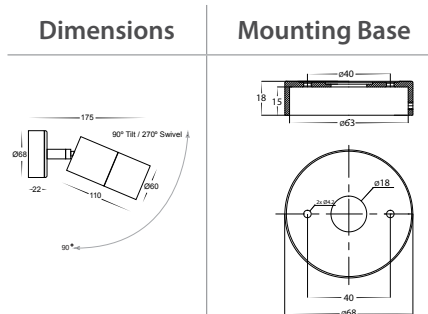


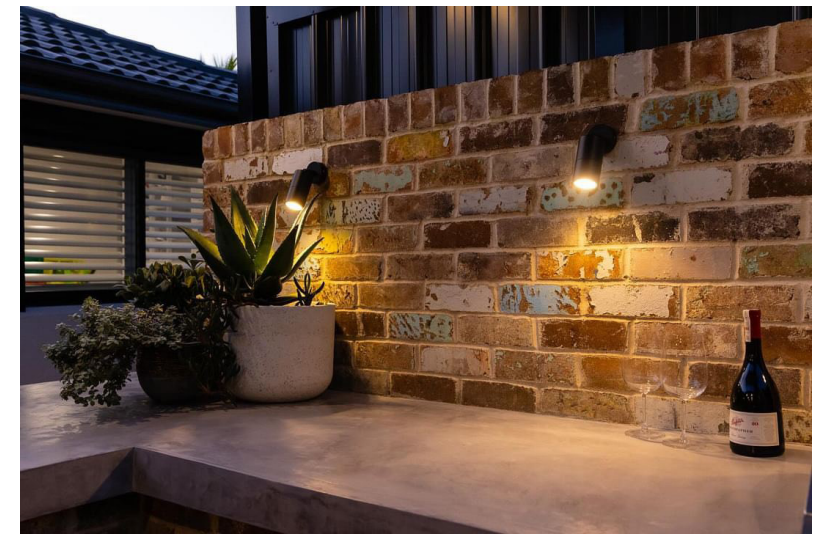
Tivah Aluminium White Single Adjustable Spot Light

| | |
|--------------------------|--|
| Name | Tivah |
| Material | Aluminium |
| Colour | Poly Powder Coated White |
| IP Rating | IP65 |
| Colour Temp | <div style="display: flex; gap: 5px;"> <div style="width: 10px; height: 10px; background-color: #FFD700; border: 1px solid black;"></div> 3000k <div style="width: 10px; height: 10px; background-color: #ADD8E6; border: 1px solid black;"></div> 4000k <div style="width: 10px; height: 10px; background-color: #00CED1; border: 1px solid black;"></div> 5500k </div> |
| IK Rating | IK10 |
| Installation Type | Wall or Ceiling - Surface Mounted |
| Diffuser Type | Clear Glass |
| Lamp Base | Available in either GU10 or MR16 |
| Max Wattage | 35w GU10 20w MR16 |
| Protection Class | GU10 = 1 (requires Earth) MR16 = 3 (Low Voltage - No Earth Required) |
| Lamp Expectancy | <30,000hrs* |
| CRI | CRI>80 |
| SDCM | <6 |
| UGR | <45 |
| Dimmable | Yes - Triac Dimmable (HV1235T Only) |
| Warranty | 3 Years Replacement* |



Product Ordering

| Image | Part Number | Colour Temp | Lumens | Input Voltage | Beam Angle | Included LED | Barcode |
|-------|--------------------|--|-------------------------------------|---------------|----------------------------------|--------------------------------------|---------------|
| | HV1235T | <div style="display: flex; gap: 5px;"> <div style="width: 10px; height: 10px; background-color: #FFD700; border: 1px solid black;"></div> 3000K <div style="width: 10px; height: 10px; background-color: #ADD8E6; border: 1px solid black;"></div> 4000K <div style="width: 10px; height: 10px; background-color: #00CED1; border: 1px solid black;"></div> 5500K </div> | 240-560lm 255-595lm 270-630lm | 240v AC | 60° | TRI Colour 3/5/7w GU10 LED | 9350418015334 |
| | HV1237GU10T | | 270lm 285lm 300lm | | | TRI Colour 5w GU10 LED | 9350418015341 |
| | HV1237MR16T | | 12v DC | 120° | TRI Colour 5w MR16 LED | 9350418015358 | |



Optional Havit Compatible Accessories

| Image | Part Number | Colour Temp | Input Voltage | Beam Angle | Included LED |
|---|------------------------------------|---|---------------|------------|--------------------------------------|
| GU10 Dimmable Globe | | | | | |
| | HV9509 | 3000K 4000K 5500K | 240v AC | 60° | TRI Colour 5/7/9w GU10 LED |
| MR16 Optional Globes & Drivers | | | | | |
| | HV9507 | 3000K 4000K 5500K | 12v DC | 60° | TRI Colour 3/5/7w MR16 LED |
| | HV9508 | 3000K 4000K 5500K | 24v DC | 60° | TRI Colour 3/5/7w MR16 LED |
| | 12v DC LED Drivers | See Catalogue or Website for full range of 12v DC LED Drivers | | | |

Related Products



*See Warranty Terms & Conditions for more information