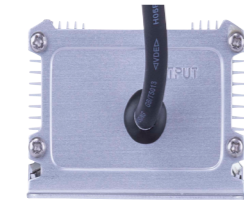


100w IP66 High Power Factor Weatherproof LED Driver

Material	Aluminium
Colour	SILVER
IP Rating	IP66
Input Voltage	240v AC
Output Voltage	Available in either 12v DC or 24v DC
Max Wattage	100w (Recommended Max Wattage = 80w)
Protection Class	1 (Earth Required)
Wiring	Parallel
No. Output Cables	1
Protections	Short Circuit, Overload, Over Temperature
Warranty	3 Years Replacement

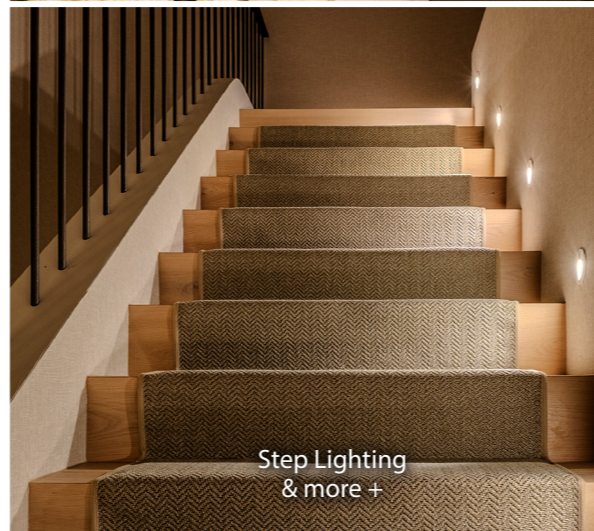


Compatible with
All Low Voltage Light Fittings

LED Strip Lighting



Garden Lighting



Step Lighting
& more +

Product Ordering

Part Number	Output Voltage	Barcode
HV9658-12V100W	12v DC Constant Voltage	9350418007803
HV9658-24V100W	24v DC Constant Voltage	9350418007834



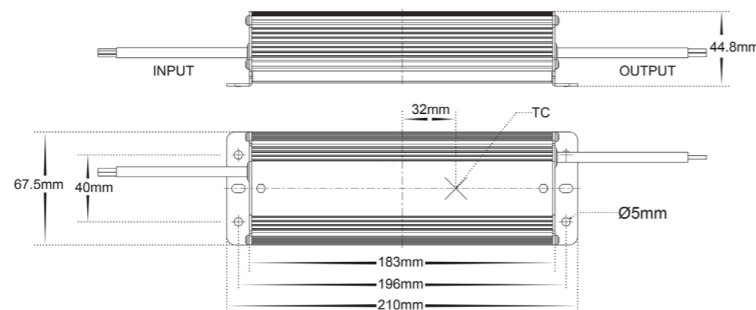
Website



Warranty

Terms & Conditions

Dimensions



	HV9658-12V100W	HV9658-24V100W	
Output	DC Voltage Voltage Tolerance Rated Current Rated Power Line Regulation No. Output Cables Set up time Holding time (Typ.) Ripple and Noise(max) Load Regulation	12v DC ± 4V 8.33A 100W ± 1% 1 2000ms, 50ms(at full load) 110V AC / 230V AC 15ms(at full load) 110V AC / 230V AC 120mVp-p ± 2%	24v DC ± 2V 4.17A 240mVp-p
Input	Voltage range Note 2 Frequency Range Power Factor (TYP.) @ Full Load Efficiency(Typ.)@ Full Load AC Current (Max) Inrush Current (TYP) Leakage Current	170~264V AC 47 - 63Hz PF ≥ 0.45 / 230V (at full load) 86.5% 0.60A / 230V AC Cold start: 50A / 230V AC <0.75mA / 240V AC	
Protections	Short Circuit Overload Over Temperature Over Voltage	Hiccup mode, Recover automatically after fault condition is removed 104% - 130% of the rated output power Ta: 55°C ~ 65°C 13-18V 24.5-35V	
Environment	Working Temp. Working Humidity Storage TEMP. Humidity TEMP. Coefficient Vibration	Ta: -25°C ~ +50°C 10%~90% RH, non-condensing -25°C ~+75°C, 5%~95% RH ± 0.05%/°c (0-40°C) 10~300Hz, 1G 10min./ 1 Cycle, Period for 60min, each along X,Y,Z axes	
Safety & EMC	Safety Standards Isolation Resistance Withstand voltage EMC Emission EMC Immunity	Compliance to EN61347-1, EN61347-2-13, AS/NZS61347-1, IP66 waterproof rating. I/P-O/P, I/P-FG, O/P-FG: 100Mohms/500Vdc 25°C /70%RH I/P-O/P: 3.75KVAC I/P-FG: 1.875KVAC O/P-FG: 0.5kVAC Compliance to AS/NZS CISPR15 Compliance to AS/NZS CISPR15	



HAVIT
Lighting

HAVIT
Lighting

Havit Lighting 143 Beauchamp Road, Matraville, N.S.W. 2036 | Phone: 02 9381 8300 |
Fax: 02 9381 6661 | Email: sales@havit.com.au | Web: www.havit.com.au

Havit Lighting 143 Beauchamp Road, Matraville, N.S.W. 2036 | Phone: 02 9381 8300 |
Fax: 02 9381 6661 | Email: sales@havit.com.au | Web: www.havit.com.au