

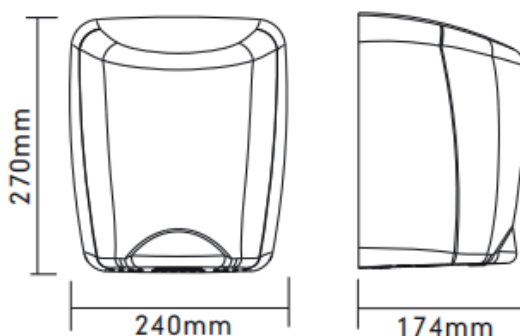
Tornado Air 550W / 1800W High Speed Hand Dryer Automatic HS5720(S),(W),(G) - Specification Sheet



Key Features

- Universal backplate, acting as a direct replacement for most hand dryers
- Auto sense intelligent energy saving automatic heat element On Off switching
- Manufactured with hygienic touch anti-bacterial coating
- Ultra-performance high speed hand dryer
- Ultra-durable and robust construction
- Fast 10-second drying time
- Fully automatic operation
- 550W low energy consumption
- 1250W heating element
- Hi-speed: 100m/s (224mph)
- LED 'function' light
- Auto-resetting thermal protection

Dimensions



Model	Output (kW)	Height (mm)	Width (mm)	Depth (mm)	Weight (Kg)
HS5720S	0.55/1.8	270	240	174	4.5
HS5720W	0.55/1.8	270	240	174	4.5
HS5720G	0.55/1.8	270	240	174	4.5

Technical Details

Construction	Stainless steel
Cover Thickness	1.2mm
Controls	Automatic heat element on/off switching
Element	220V-240V, 50/60Hz, 1 Phase
Power	550W fan motor 1250W fan and heat element
Current	8.0A
RPM	26000
Noise	75dB @ 2m
Air Speed	100m/s (224mph)
Automatic Cut-off	60 seconds
IP Rating	IPX1
Class	Class I
Colour/Finish	Silver (S) /White (W) /Graphite (G)
Approvals	UKCA. CE
Warranty	3 Years
Country of Origin	China
Manufacturer	Heatstore



Tel: +44 (0)117 923 5375

Email: enquiries@heatstore.co.uk