

SPECIFICATION: HEATSTORE TORNADO PRO

Electrical: 800W/1650W; 220/240V; 50Hz;

Air Speed: 95m/s; 220mph

Drying Time: 5-10 seconds;

Dimensions/Weight: 730(h) x 300(w) x 222 mm; 14kG

Sound level: 75dB



This marking indicates that this product should not be disposed with other household wastes throughout the EU and UK. To prevent possible harm to the environment or human health from uncontrolled waste disposal, recycle it responsibly to promote the sustainable reuse of material resources. To return your used device, please use the return and collection systems or contact the retailer where the product was purchased. They can take this product for environmental safe recycling.

 **HEATSTORE**



Telephone: **0117 923 5375**

Unit 12, Access 18, Bristol BS11 8HT

www.heatstore.co.uk

enquiries@heatstore.co.uk

ISSUE 1/07/23

HS5910 Tornado Pro Hi-Speed Hand Dryer

Operating Instructions



IMPORTANT SAFEGUARDS

WHEN USING ANY ELECTRICAL APPLIANCE, BASIC SAFETY PRECAUTIONS SHOULD ALWAYS BE FOLLOWED.

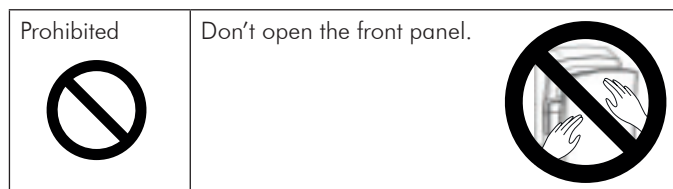
PLEASE READ ALL INSTRUCTIONS CAREFULLY AND RETAIN FOR FUTURE REFERENCE

IF IN ANY DOUBT ABOUT THE INSTALLATION OR USE OF THIS PRODUCT, CONSULT A COMPETENT ELECTRICIAN.

 **HEATSTORE**

Important Safety Warnings

Injury can occur if used improperly



The HS5910 TORNADO PRO is a stylish stainless steel, hi-speed hand dryer with auto sense switching and tamper-proof controls.

Important Safety Information – Please Read before Proceeding

- The information contained in these installation instructions must be read carefully before any attempt to install the hand dryer.
- Failure to accurately follow these instructions may result in the incorrect operation of the unit, damage to property and/or personal injury.
- Heatstore will not be held liable for any damage to property or personal injury as a result of failure to comply with the instructions contained herein.
- All electrical installation and repair work should be carried out by a qualified electrician in accordance with current UK IEE regulations and any local codes or regulations.
- Any maintenance to this appliance should be carried out by a qualified electrician.
- This product must be earthed.
- Isolate power to the device before installation or servicing.
- Check that the electrical supply corresponds to that shown on the rating plate on the device.
- NOT to be used for any purpose other than drying hands.

Warning

- 1.Warning: Do not use this appliance near water. Do not use this appliance near bathtubs, showers, basins, or other vessels containing water. Further, avoid installing this appliance in environments with high levels of water vapour/ moisture as this could result in electric shocks.
- 2.This appliance is not intended for use by persons (including children) with reduced physical, sensory, or mental capabilities, or lack of experience and knowledge, unless they have been giving supervision or instruction concerning use of the appliance by a person responsible for their safety.
- 3.Children should be supervised to ensure that they do not play with this appliance.
4. Ensure that there is a clearance of 400mm below the outlet of the unit.
5. Do not install the unit above reflective surfaces otherwise the unit may operate incorrectly.
6. Ensure the unit is fixed to a smooth flat surface as per the fixing instructions below.
7. Do not install the unit in such place with corrosive or flammable gases or objects, it may cause fire, product failure or malfunction.
- 8.Do not install the unit in a dusty or high temperature environment as this may cause product failure or malfunction.
- 9.To avoid the risk of fire, do not cover the unit or pull the power supply.
10. To avoid the risk of electrical shock, please do not isolate the unit with wet hands.
11. Do not block the air outlet or insert anything into the aperture.
12. Do not modify the unit as this could result in a risk of electric shock, fire, or unit malfunction.

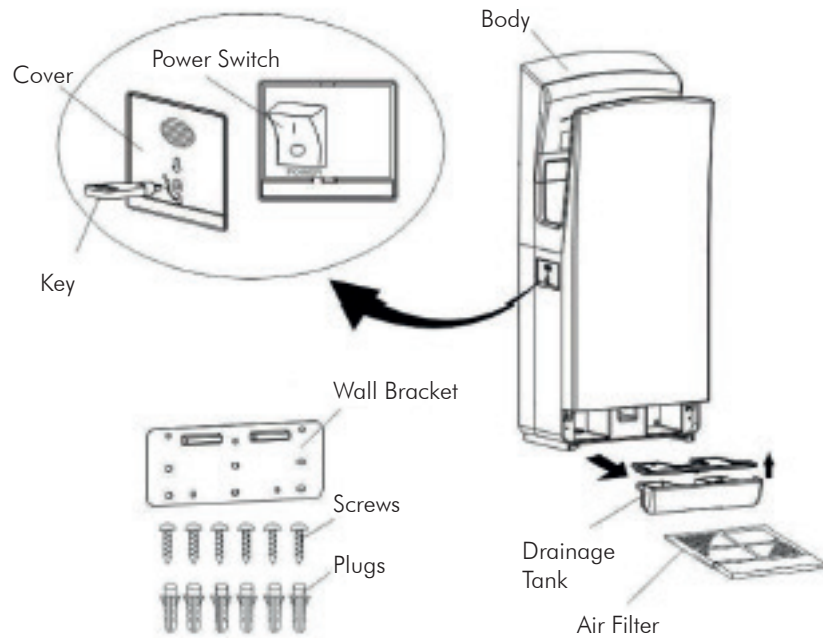
Features:

1. Universal backplate, acting as a direct replacement for most hands in hand dryers
2. Manufactured with hygienic touch anti-bacterial coating
3. HEPA filter which captures airborne bacteria
4. Auto sense Intelligent energy saving automatic heat element On Off switching
5. Water collection system which collects 800ml of excess water
6. Room temperature and LED power indicator
7. Fast 5-10 second drying time
8. Fully automatic operation
9. 800W low energy consumption
10. 850W heating element (1650W)
11. Hi-speed: 95m/s air speed (220mph)
12. LED 'function' light
13. Auto-resetting thermal protection
14. Tamperproof controls
15. Brushed stainless steel body

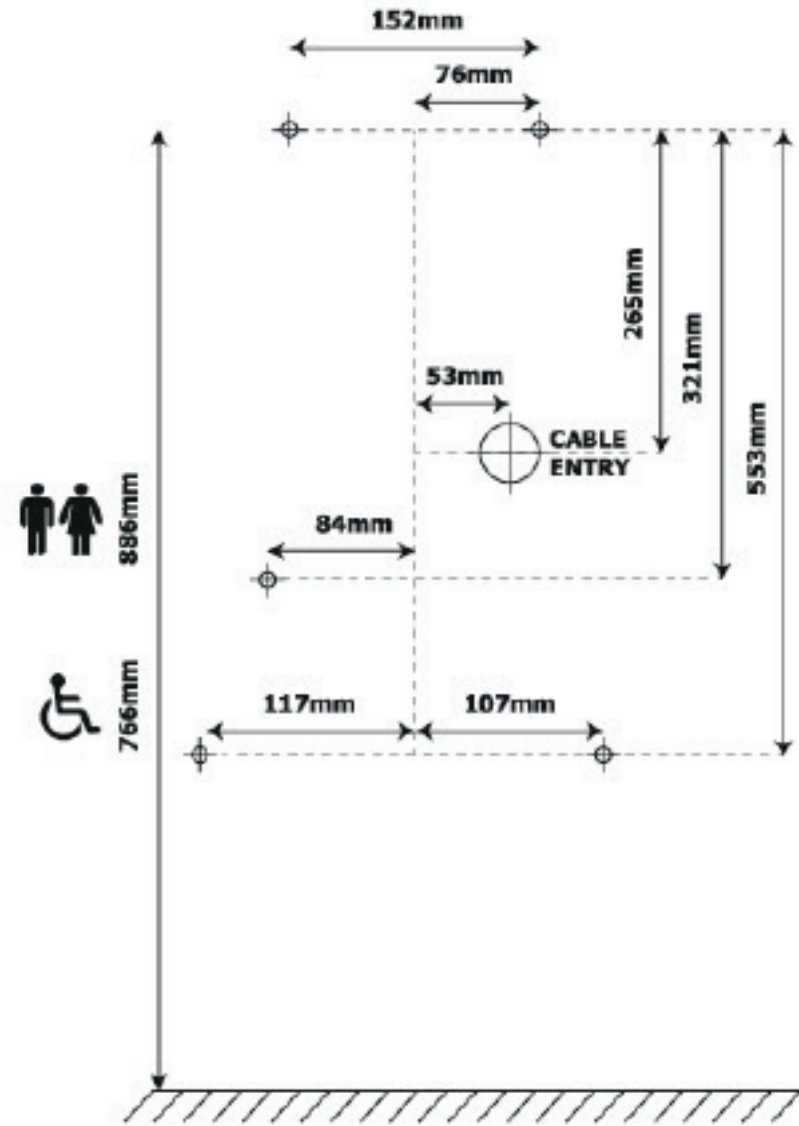
Technical Data:

| | | | |
|-----------------|-------------|--------------------|-------------------------|
| Rated voltage | AC 220-240V | WATERPROOF GRADE | IPX4 |
| Rated frequency | 50/60HZ | Heating conditions | Ambient temperature <21 |
| Rated power | 1650W | Air speed | 95m/s |
| Motor power | 800W | Drying time | 5-10s |
| Weight | 14.0KG | Overall size(mm) | 300x222x730 |

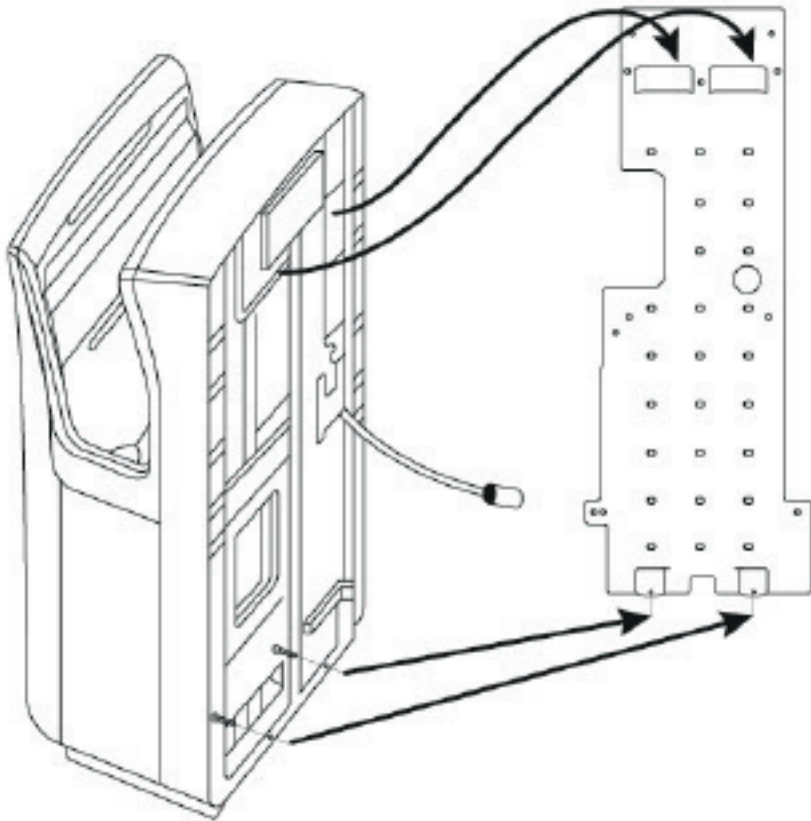
Components:



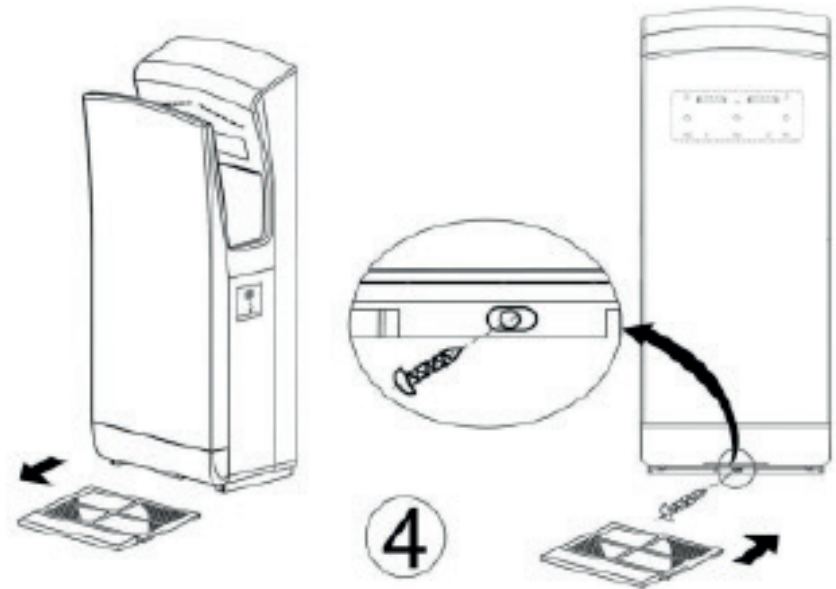
Installation:



Installation:



Installation:



Before installation

- Be sure to select a suitable position where the unit is easy to use, and away from direct sunlight, high condensation or corrosive elements. Choose a flat surface, away from high traffic. The unit is IPX4 rated.
- Make sure that you have all the parts and appropriate tools for installation.
- Be sure that the electrical supply (via a switched fuse spur/connection box to which you intend to connect the device) has been isolated/switched off to reduce the risk of electric shock.
- Ensure that there is no pipe work or electrical cables located directly within the drilling area.
- All pole-disconnection must be incorporated in the fixed wiring in accordance with applicable wiring regulations.

Installation

Note

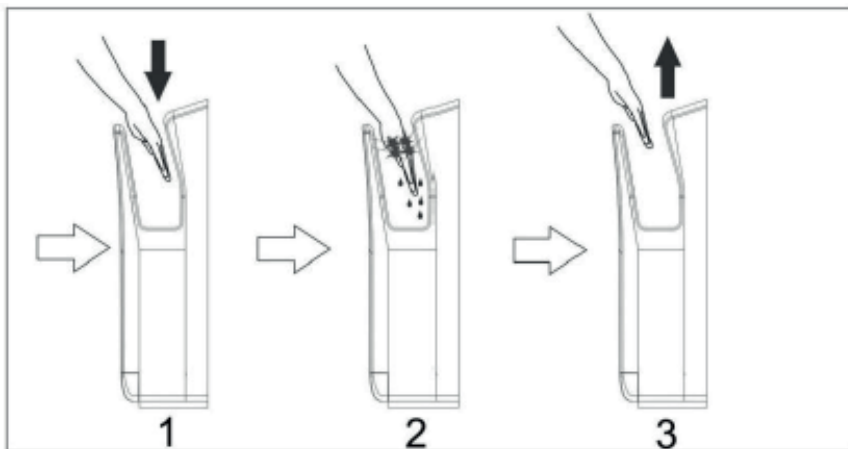
This unit is equipped so that it can blow hot and cool air when in operation.

Electrical

- Use a single-phase alternating current 220V-240V power supply.
- This unit comes pre-wired ready for installation.

For easier installation the left side of the unit must be at least 150mm away from any walls to allow access to the control panel. Before 'offering up' the backplate and marking the wall.

Drying your hands:



Shake off excess water before inserting your hands into the unit.

Step 1

- Insert your hands into the unit with your fingers slightly spread. The hand dryer will start automatically as you do this.

Step 2

- Slowly withdraw your spread fingers; you will feel the powerful air flow pressing against your hands as you do this.

Step 3

- If your hands still feel wet repeat the first two steps.

Maintenance and cleaning

Note: Always switch the unit off before cleaning or disconnect the unit from the electrical supply before completing any maintenance.

Emptying the water tank

From time to time you will need to empty the water tank located at the front/bottom of the machine. Simply grasp the tank by the handle and pull out. Then empty and replace the tank before further use.

- To prevent any potential clogging, pour 200cc (around 1 cup) of water through the drain hole to flush.
- Pull the drain tank out horizontally to ensure water does not spill.
- Remove the cover in the direction indicated, and empty.
- Wash out the interior with warm soapy water and dry.
- Close the water tank cover, and re-fit to the unit, making sure it is firmly sealed.

Terms of guarantee:

1. The product is covered by a two year exchange warranty.
2. The warranty period starts on the date the unit is purchased.
3. Warranty exemptions:
 - Improper use, alteration, or modification of the unit.
 - Any faults caused by natural disasters or abnormal supply voltages.
 - Continuous use and poor working conditions.