

# CDW4U1UL Series

Connect UltraLite Connection Centre

### Installation Instructions

#### 1. CONTENTS

Controller: Qty 1



#### 2. INTRODUCTION

**WARNING 230V A.C.**

**THE CONNECTIONS TO THIS EQUIPMENT SHOULD BE MADE BY A SUITABLY QUALIFIED PERSON IN ACCORDANCE WITH THE CURRENT WIRING REGULATIONS.**

**IT IS STRONGLY RECOMMENDED TO USE HONEYWELL LATCHING TYPE CONNECTORS.**

**THE UNIT MUST BE EARTHED.**

Connect UltraLite provides an efficient way to interconnect presence detectors and luminaires using industry standard connectors. One detector can be connected to up to four luminaires depending upon the configuration required.

Dedicated UltraLite detectors are available as well as a range of Plugs and Leads to convert LightSpot HD sensors for use with the UltraLite CD Box.

#### 3. ELECTRICAL CONNECTIONS

Screw terminals are provided under the cover for power supply connections. Override switch may also be connected here providing a means to control the switched live connections to the luminaires.

The installation should provide means of supply disconnection and over-current protection.

The cover of the cable chamber is removed by inserting the tip of a flat bladed screwdriver into the catch recess and exerting light pressure on the handle in an inboard direction while lifting the long outboard edge of the cover.

The cable entries, for 20 mm conduit, bushes or glands are semi-pierced in the walls of the cable chamber and can easily be removed from the outside with a 20 mm hole saw.

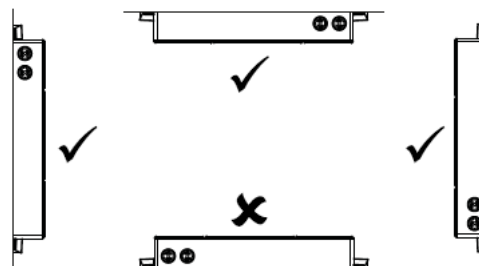
If the cables are not routed right into the box through conduit or trunking, a cable restraining gland must be fitted at the cable entry for strain relief.

### 3. ELECTRICAL CONNECTIONS (continued)


#### Fixing

The box should be sited on a suitable, smooth, flat surface using the two end fixing flanges. Consideration should be given to the box's location as access will be required to install the plugs. The box must not be distorted when fixing.

Alternatively, the box may be rod-fixed. In this case, the fixing should be substantial enough to withstand the action of plugging and un-plugging connectors.



Preferred mounted orientation

<b>ML</b>	<b>MAINTAINED LIVE</b> Internally connected to A1-4
<b>Lin</b>	<b>LIVE INPUT</b> Internally connected to detector live Lin internally linked
<b>Lin</b>	<b>MAINS INPUT: 230V 50Hz</b> Max load on any single outlet: 6A Max total load: 16A tc: 5 - 50°C <b>No user-serviceable parts inside</b>
<b>N</b>	
<b>E</b>	<b>EARTH INPUT</b>  Protected Earth E terminals internally linked
<b>E</b>	
<b>SWA</b>	(Connect wall switches here if not using plug-in detectors)
	Spare (no internal connection)
<b>PB-A</b>	<b>Manual input OneSwitch</b> (Only when used with compatible detectors)

#### Factory Configuration

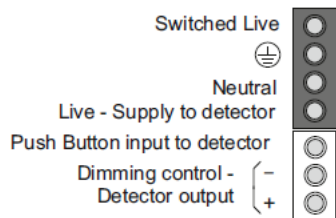
A red indicator in the connection chamber indicates that power is present.

Connections are made as illustrated to the left.

**Live (Lin)** is routed to the detector connector.

**Maintained Live (ML)** is routed to the 4 luminaire connectors, A1-A4.

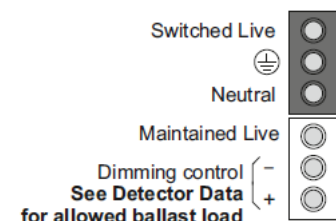
**SWA** is the switched live output from a detector connected to detector socket.



Ensure max detector load is not exceeded

#### Detector Connection

There is one detector connection position on each box. The detector is connected by a flying lead and GST18/7 plug.



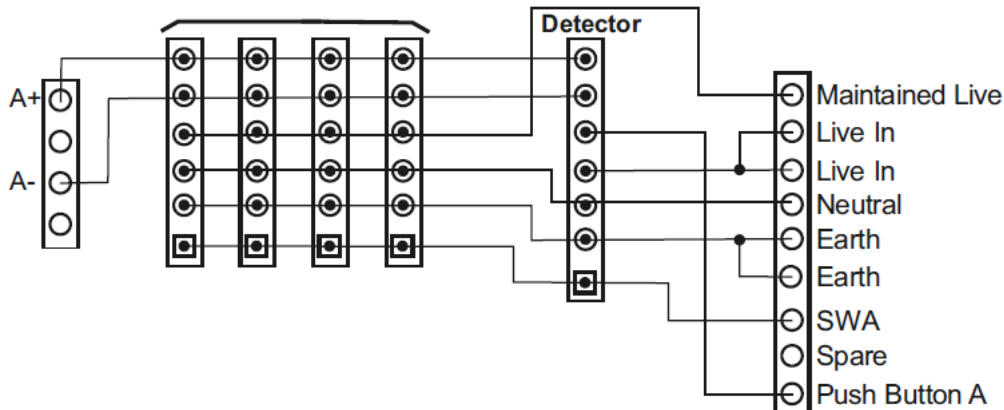
Max load 6A per output

#### Luminaire Connection

There are four luminaire outlets on each box. Each luminaire is connected by a flying lead and GST18/6 plug.

### 3. ELECTRICAL CONNECTIONS (continued)

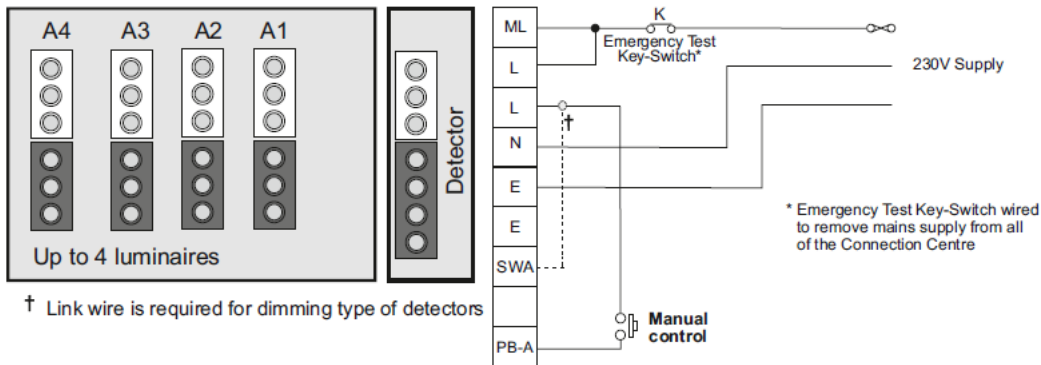
Simple schematic showing connection information



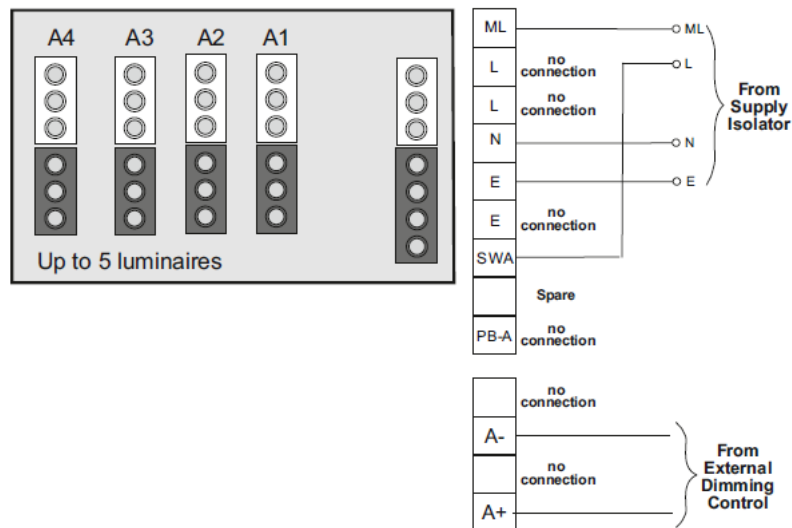
If the detector socket is not occupied by a presence detector, that socket may be used for a luminaire. The plug, however, will need to be 7-pole and wired appropriately.

#### Connection Examples

**Single Detector with 4 Luminaires** (For load information, see Note under Technical Data.)

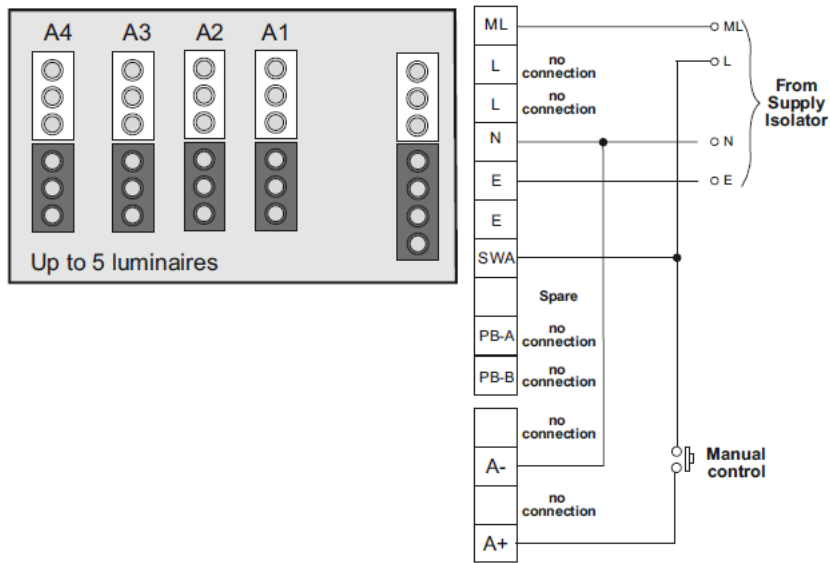


#### Distribution Unit with External Low-Voltage Dimming Control



### 3. ELECTRICAL CONNECTIONS (continued)

#### Distribution Unit with Mains-Based 'OneTouch' Dimming (for use with compatible Digital Ballasts)



**NOTES:**

- (i) The dimming control connections are mains rated.
- (ii) Unit must not be used with multi-phase connections.
- (iii) Mains-based dimming must not be used in conjunction with Honeywell's range of presence detectors.

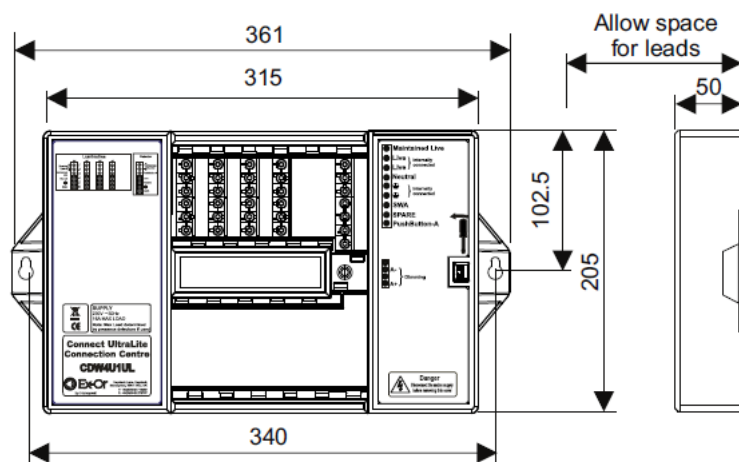


**TECHNICAL DATA**

OPERATING VOLTAGE: 230V 50Hz (UK & Europe)  
 PRODUCT RATING/RECOMMENDED CIRCUIT PROTECTION: 16 Amps  
 MAXIMUM LOAD PER OUTLET: 6 Amps\*  
 MAXIMUM TOTAL LOAD: 16 Amps\*  
 SUPPLY TERMINAL CAPACITY: 6.0 mm<sup>2</sup> (2 x 2.5 mm<sup>2</sup>)  
 DIMMING TERMINAL CAPACITY: 4.0mm<sup>2</sup>  
 CASE MATERIAL: Polycarbonate  
 CASE FINISH: Lightly textured light grey  
 WEIGHT: 1.27kg

**\* NOTE:** These specifications relate to the product when used as a simple wiring device. When mains-switching presence detector is used in conjunction with this equipment, it is the presence detector which will normally dictate the maximum load. It is important to check, and not exceed, the specification of the current-switching presence detector, which will typically be around 6 Amps.

**Dimensions**



**WEEE Directive 2012/19/EC Waste**

**Electrical and Electronic Equipment Directive**

- At the end of the product life, dispose of the packaging and product in an appropriate recycling center.
- Do not dispose of the device with the usual domestic refuse.
- Do not burn the device.

By using this Honeywell literature, you agree that Honeywell will have no liability for any damages arising out of your use or modification to, the literature. You will defend and indemnify Honeywell, its affiliates and subsidiaries, from and against any liability, cost, or damages, including attorneys' fees, arising out of, or resulting from, any modification to the literature by you.

**Honeywell**

Unit C, Foundry Ln, Horsham  
 West Sussex, RH13 5YZ  
 Tel: +44 (0)1942 719229  
 Web: buildings.honeywell.com

**EU contact for regulatory questions:**

PEHA Elektro GmbH & Co.  
 KG Gartenstraße 49,  
 58511 Lüdenscheid Germany  
 Web: www.peha.de



**Honeywell**  
 LIGHTING CONTROLS