

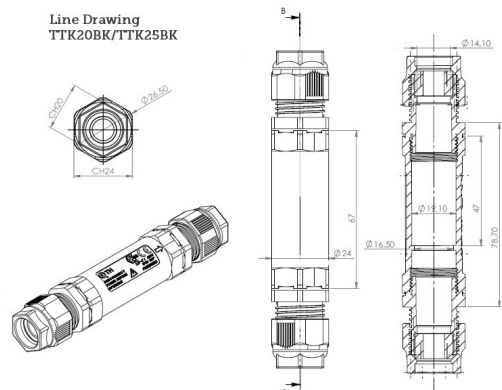
# TeeTube

## Range: Weatherproof/Waterproof Connectors

Part Number: TTK20BK-SD



Line Drawing  
TTK20BK/TTK25BK



### DESCRIPTION

TeeTube In-line 3 Pole Screw - end barrier contact 7mm to 13.5mm, 4 mm max conductor size IP68 32A 450V 2 cable entries

### WEATHERPROOF/WATERPROOF CONNECTORS FEATURES

- Tough, robust construction with large cable range acceptance
- Straight through, T splitter and Y splitter versions available
- Dual terminal versions available for easy fitting and looping of conductors (2+2 and 3+3 poles)
- Temperature rating of  $-40^{\circ}\text{C}$  to  $+125^{\circ}\text{C}$

*Features may vary by product throughout the range.*

*Subject to technical modification without notice.*

*Typographical and other errors do not justify claim for damages.*

## SPECIFICATION

Type of Installation	Joint connector (re-usable/re-accessible)
Type	In-line connector
Colour	Black (Plastic components) - Green (Rubber components)
Overall Dimensions (mm)	26.5 x 134.0
Cable Entries	2
Circuit Wiring Diagram	Power/Signal
Max Current (A)	32
Max Voltage (V)	450
Number of Poles	3
Marking	L-N-E
Termination	Screw
Terminations Thread/Tightening Torque	M3 - max. 0.8 Nm
Max Conductor Size (Sq mm)	4
Recommended Types of Cable	H05xxx/H07xxx
Minimum Cable Diameter (mm)	7
Maximum Cable Diameter (mm)	13.5
Tightening Torque of Cable Gland-Connector	2.5 Nm
Tightening Torque of Nut-Cable Gland	2.5 Nm
IP Rating	68
IK rating	IK08
Salt Mist	Salt mist test : EN60068-2-11:2000
Min Temperature Rating °C	-40
Max Temperature Rating °C	125
Proof Tracking Index (PTI)	PTI 250
Body Material	PA66 / TPE
Cable Gland Material	PA66 UL94 V2
Gasket Material	TPE
Comments	Supplied with full fixing kit

## INDUSTRY ACCREDITATIONS

