


Part number

# CDAF 10



Female insert, CDA series, screw terminal connection, 10 poles + PE, 16 A 250 V 4 kV 3, size "49.16", with plate

Product description	
<b>Product type</b>	Insert
<b>Series</b>	CDA
<b>Connection type</b>	Screw terminal connection
<b>Gender</b>	Female
<b>N. of poles</b>	10 poles + 
<b>Size</b>	Size "49.16"
<b>Specification</b>	With plate
Technical data	
<b>Current</b>	16 A
<b>Voltage</b>	250 V
<b>Rated impulse withstand voltage</b>	4 kV
<b>Pollution degree</b>	3
<b>Rated voltage according to UL/CSA</b>	600 V
<b>Wire cross-section</b>	0,75 mm <sup>2</sup> - 4,00 mm <sup>2</sup>
<b>AWG size</b>	18 - 12
<b>Contact type</b>	Turned silver plated
<b>IP degree of protection</b>	IP20 without enclosure, IP65/IP66 with enclosure
Further technical details	
<b>Characteristics according to EN 61984</b>	16A 250V 4kV 3; 16A 230/400V 4kV 2
<b>Mating cycles</b>	≥ 500
<b>Insulation resistance</b>	≥ 10 GΩ
<b>Contact resistance</b>	≤ 1 mΩ
<b>Weight</b>	44,00 g
<b>Operating temperature range (min, max)</b>	-40 °C ... +125 °C
<b>Conductors stripping length</b>	7 mm
<b>UL 94 flammability rating</b>	V-0
<b>Torque for main contact</b>	M3: 0,5 Nm; 4,4 lb.in (Ph0 or 0,6 x 3,5 mm)
<b>Tightening torque for PE connection</b>	M3,5: 0,8 Nm; 7,1 lb.in (Ph1 or 0,8 x 5,5 mm)

Material properties	
<b>Main material</b>	Polycarbonate (PC)
<b>Other materials</b>	Contacts: copper alloy
<b>Colour</b>	RAL 7032 grey
<b>RoHs conformity</b>	Compliant with exemption 6(c): copper alloy containing up to 4% lead by weight
<b>China RoHs - EFUP</b>	50
<b>REACH SVHC substances</b>	Yes Lead
Approvals / Standards	
<b>Reference standard</b>	EN 61984:2009-06
<b>Certifications</b>	CSA, CQC, DNV-GL, BV, EAC
<b>UL</b>	ECBT2
<b>cUL</b>	ECBT8
General ordering information	
<b>EAN13 code</b>	8015747012966
<b>ETIM 7.0</b>	EC000438
Packaging Information	
<b>Packaging weight</b>	1,52 kg
<b>Packaging volume</b>	3,29 dm <sup>3</sup>
<b>Packaging description</b>	Carton box
<b>Packaging quantity</b>	30 Pcs
<b>Packaging EAN code</b>	8015747012973
<b>Sub-packaging weight</b>	0,25 kg
<b>Sub-packaging description</b>	Carton tray
<b>Sub-packaging quantity</b>	5 Pcs
<b>Sub-packaging EAN barcode</b>	8015747012980

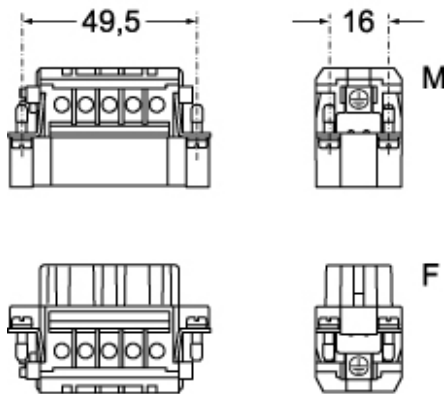
Part number

# CDAF 10

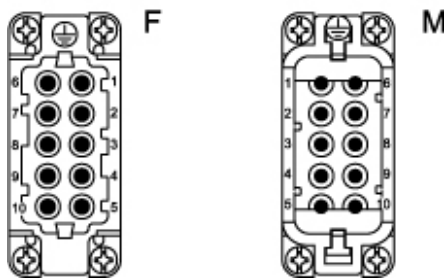


Catalogue drawings

## CDAM 10

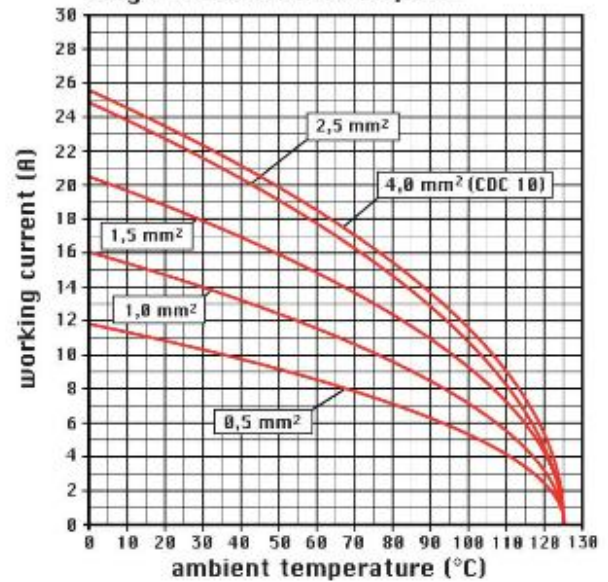


## CDAF 10



Catalogue drawings

diagram CDA and CDC 10 poles



## Notes

Dimensions shown in mm are not binding and may be changed without notice.

CDA ... : for non-prepared conductors



CDA ... X : for conductors with bush terminal

## California Proposition 65 Information



### **WARNING**

This product can expose you to lead and its compounds, known to the State of California to cause cancer and/or reproductive toxicity. For more information go to [www.P65Warnings.ca.gov](http://www.P65Warnings.ca.gov).

---