

Part number

CDAM 10



Male insert, CDA series, screw terminal connection, 10 poles + PE, 16 A 250 V 4 kV 3, size "49.16", with plate

Product description		Material properties	
Product type	Insert	Main material	Polycarbonate (PC)
Series	CDA	Other materials	Contacts: copper alloy
Connection type	Screw terminal connection	Colour	RAL 7032 grey
Gender	Male		Compliant with exemption
N. of poles	10 poles +	RoHs conformity	6(c): copper alloy containing up to 4% lead by weight
Size	Size "49.16"	China RoHs - EFUP	50
Specification	With plate	REACH SVHC substances	Yes Lead
Technical data		Approvals / Standards	
Current	16 A	Reference standard	EN 61984:2009-06
Voltage	250 V	Certifications	CSA, CQC, DNV-GL, BV, EAC
Rated impulse withstand voltage	4 kV	UL	ECBT2
Pollution degree	3	cUL	ECBT8
Rated voltage according to UL/CSA	600 V	General ordering information	
Wire cross-section	0,75 mm ² - 4,00 mm ²	EAN13 code	8015747013178
AWG size	18 - 12	ETIM 7.0	EC000438
Contact type	Turned silver plated	Packaging Information	
IP degree of protection	IP20 without enclosure, IP65/IP66 with enclosure	Packaging weight	1,57 kg
Further technical details		Packaging volume	3,29 dm ³
Characteristics according to EN 61984	16A 250V 4kV 3; 16A 230/400V 4kV 2	Packaging description	Carton box
Mating cycles	≥ 500	Packaging quantity	30 Pcs
Insulation resistance	≥ 10 GΩ	Packaging EAN code	8015747013185
Contact resistance	≤ 1 mΩ	Sub-packaging weight	0,26 kg
Weight	46,00 g	Sub-packaging description	Carton tray
Operating temperature range (min, max)	-40 °C ... +125 °C	Sub-packaging quantity	5 Pcs
UL 94 flammability rating	V-0	Sub-packaging EAN barcode	8015747013192
Torque for main contact	M3: 0,5 Nm; 4,4 lb.in (Ph0 or 0,6 x 3,5 mm)		
Tightening torque for PE connection	M3,5: 0,8 Nm; 7,1 lb.in (Ph1 or 0,8 x 5,5 mm)		

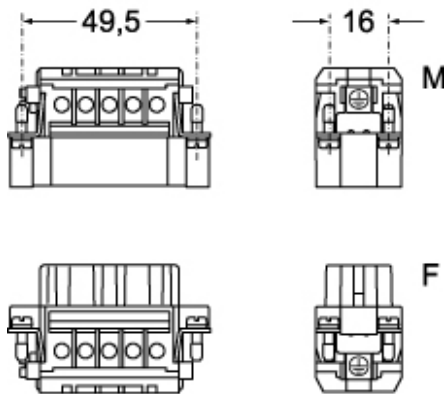
Part number

CDAM 10

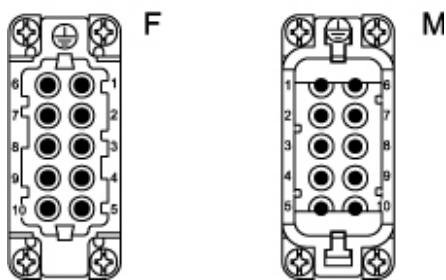


Catalogue drawings

CDAM 10

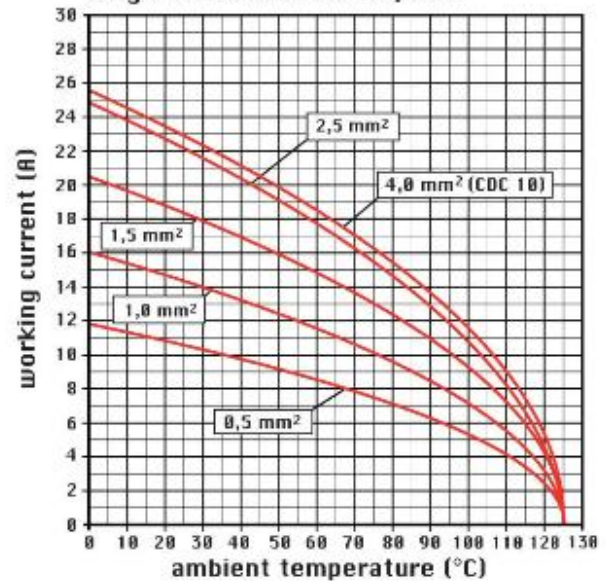


CDAF 10



Catalogue drawings

diagram CDA and CDC 10 poles



Notes

Dimensions shown in mm are not binding and may be changed without notice.

CDA ... : for non-prepared conductors



CDA ... X : for conductors with bush terminal

California Proposition 65 Information



WARNING

This product can expose you to lead and its compounds, known to the State of California to cause cancer and/or reproductive toxicity. For more information go to www.P65Warnings.ca.gov.
