

Part number

# CDAM 16 N



Male insert, CDA series, screw terminal connection, 16 poles + PE (17-32), 16 A 250 V 4 kV 3, size "66.40", with plate

## Product description

<b>Product type</b>	Insert
<b>Series</b>	CDA
<b>Connection type</b>	Screw terminal connection
<b>Gender</b>	Male
<b>N. of poles</b>	16 poles + ⊥
<b>Size</b>	Size "66.40"
<b>Specification</b>	With plate

## Technical data

<b>Current</b>	16 A
<b>Voltage</b>	250 V
<b>Rated impulse withstand voltage</b>	4 kV
<b>Pollution degree</b>	3
<b>Rated voltage according to UL/CSA</b>	600 V
<b>Wire cross-section</b>	0,75 mm <sup>2</sup> - 4,00 mm <sup>2</sup>
<b>AWG size</b>	18 - 12
<b>Contact type</b>	Turned silver plated
<b>Pole numbering system</b>	17-32
<b>IP degree of protection</b>	IP20 without enclosure, IP65/IP66 with enclosure

## Further technical details

<b>Characteristics according to EN 61984</b>	16A 250V 4kV 3; 16A 230/400V 4kV 2
<b>Mating cycles</b>	≥ 500
<b>Insulation resistance</b>	≥ 10 GΩ
<b>Contact resistance</b>	≤ 1 mΩ
<b>Weight</b>	61,00 g
<b>Operating temperature range (min, max)</b>	-40 °C ... +125 °C
<b>UL 94 flammability rating</b>	V-0
<b>Torque for main contact</b>	M3: 0,5 Nm; 4,4 lb.in (Ph0 or 0,6 x 3,5 mm)
<b>Tightening torque for PE connection</b>	M3,5: 0,8 Nm; 7,1 lb.in (Ph1 or 0,8 x 5,5 mm)

## Material properties

<b>Main material</b>	Polycarbonate (PC)
<b>Other materials</b>	Contacts: copper alloy
<b>Colour</b>	RAL 7032 grey
<b>RoHs conformity</b>	Compliant with exemption 6(c): copper alloy containing up to 4% lead by weight
<b>China RoHs - EFUP</b>	50
<b>REACH SVHC substances</b>	Yes Lead

## Approvals / Standards

<b>Reference standard</b>	EN 61984:2009-06
<b>Certifications</b>	CSA, CQC, DNV-GL, BV, EAC
<b>UL</b>	ECBT2
<b>cUL</b>	ECBT8

## General ordering information

<b>EAN13 code</b>	8015747013291
<b>ETIM 7.0</b>	EC000438

## Packaging Information

<b>Packaging length</b>	140,00 mm
<b>Packaging height</b>	120,00 mm
<b>Packaging width</b>	260,00 mm
<b>Packaging weight</b>	2,05 kg
<b>Packaging volume</b>	4,37 dm <sup>3</sup>
<b>Packaging description</b>	Carton box
<b>Packaging quantity</b>	30 Pcs
<b>Packaging EAN code</b>	8015747013307
<b>Sub-packaging weight</b>	0,34 kg
<b>Sub-packaging description</b>	Carton tray
<b>Sub-packaging quantity</b>	5 Pcs
<b>Sub-packaging EAN barcode</b>	8015747013314

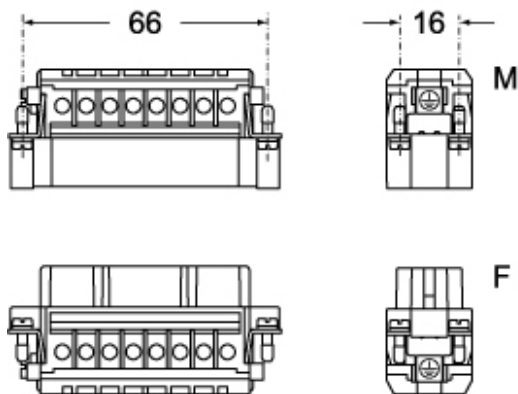
Part number

# CDAM 16 N

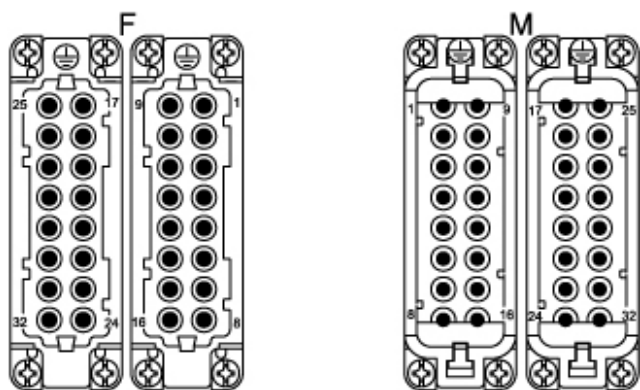


Catalogue drawings

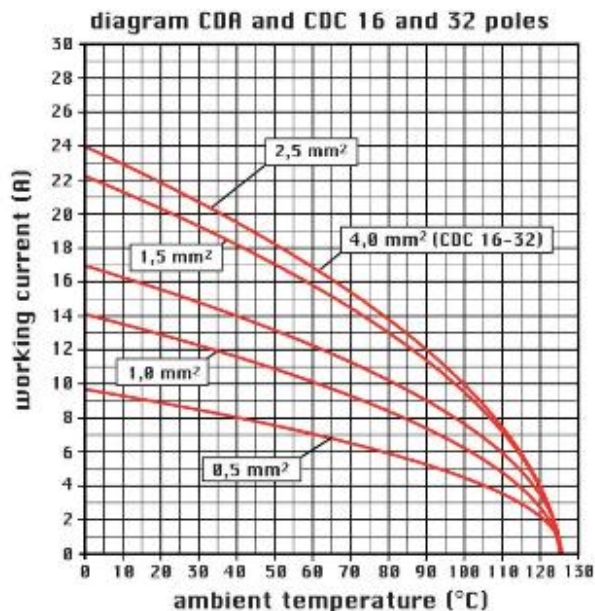
## CDAM 16



## CDAF 16



Catalogue drawings



## Notes

CDAF/M 16 N/XN inserts:

- characteristics according to EN 61984: (16A 250V 4kV 3) (16A 230/400V 4kV 2)
- rated voltage according to UL/CSA: 600V
- insulation resistance: > 10 GOhm
- ambient temperature limit: -40 °C ... +125 °C
- are made of self-extinguishing thermoplastic resin UL 94 V0
- mechanical life: > 500 cycles
- contact resistance: < 1 mOhm

- Enclosures: size "66.40"
- C-TYPE IP65/IP66
- W-TYPE aggressive environments

CDA ... : for non-prepared conductors



Dimensions shown in mm are not binding and may be changed without notice.

CDA ... X : for conductors with bush terminal

---

**California Proposition 65 Information**



**WARNING**

This product can expose you to lead and its compounds, known to the State of California to cause cancer and/or reproductive toxicity. For more information go to [www.P65Warnings.ca.gov](http://www.P65Warnings.ca.gov).

---