

Part number

CK 03 I



Bulkhead mounting housing, CK series, with 1 lever, size "21.21", white colour

Product description

Product type	Bulkhead mounting housing
Series	CK
Closing type	With 1 lever
Size	Size "21.21"
Specification	White colour

Technical data

IP degree of protection	IP44 (IP66/IP67/IP69 with CKR 65/CKR 65 D kits)
--------------------------------	---

Further technical details

Weight	9,50 g
Operating temperature range (min, max)	-40°C...+125°C

Material properties

Colour	RAL 7035 grey
---------------	---------------

Approvals / Standards

UL	ECBT2
cUL	ECBT8

General ordering information

EAN13 code	8015747026246
-------------------	---------------

Packaging Information

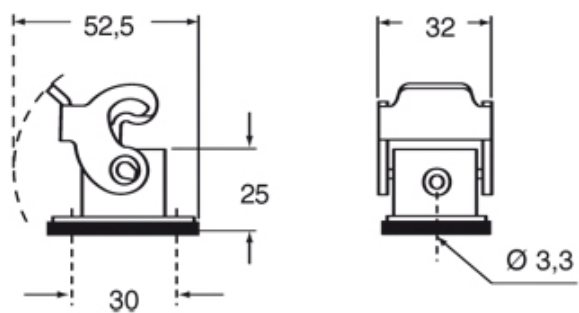
Packaging length	330,00 mm
Packaging height	170,00 mm
Packaging width	230,00 mm
Packaging weight	1,73 kg
Packaging volume	12,90 dm ³
Packaging description	Carton box
Packaging quantity	100 Pcs
Packaging EAN code	8015747026253
Sub-packaging weight	0,17 kg
Sub-packaging description	Carton box
Sub-packaging quantity	10 Pcs
Sub-packaging EAN barcode	8015747026260

Part number
CK 03 I

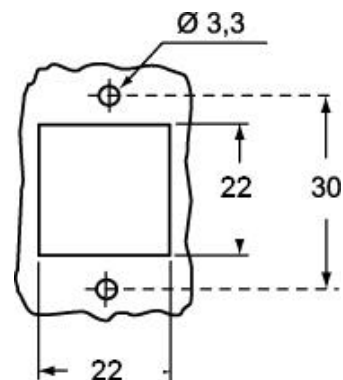


Catalogue drawings

CK I(N)



Catalogue drawings



Notes

Dimensions shown in mm are not binding and may be changed without notice.
