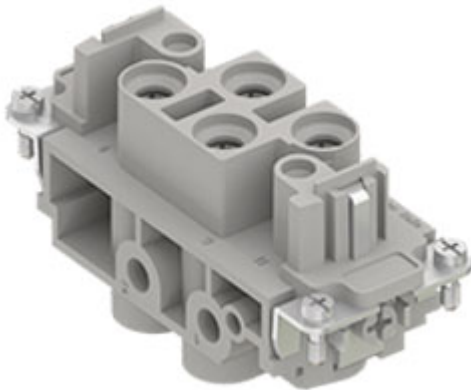


Part number

CXF 4/2



Female insert, CX series, screw terminal connection, 4 + 2 poles + PE, 80 A 830 V 8 kV 3 / 16 A 400 V 6 kV 3, size "77.27"

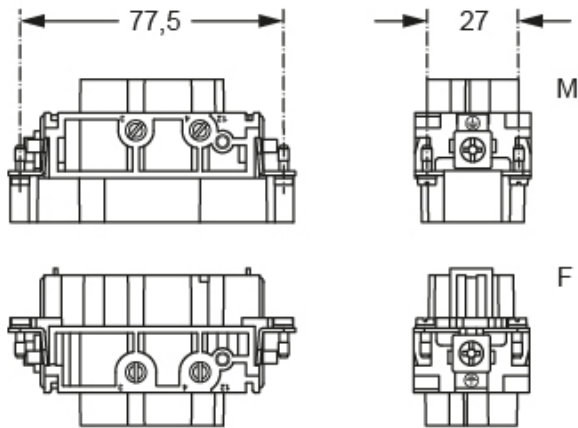
Product description		Material properties	
Product type	Insert	Main material	Polycarbonate (PC)
Series	CX	Other materials	Contacts: copper alloy
Connection type	Screw terminal connection	Colour	RAL 7032 grey
Gender	Female		Compliant with exemption
N. of poles	4 poles +	RoHs conformity	6(c): copper alloy containing up to 4% lead by weight
Auxiliary poles	2 poles	China RoHs - EFUP	50
Size	Size "77.27"	REACH SVHC substances	Yes Lead
Technical data		Approvals / Standards	
Current	80 A	Reference standard	EN 61984:2009-06
Voltage	830 V	Certifications	CSA, CQC, DNV-GL, BV, EAC
Rated impulse withstand voltage	8 kV	UL	ECBT2
Pollution degree	3	cUL	ECBT8
Rated voltage according to UL/CSA	600 V	General ordering information	
Wire cross-section	4,00 mm ² - 16,00 mm ²	EAN13 code	8015747042338
AWG size	12 - 6	ETIM 7.0	EC000438
Contact type	Turned silver plated	Packaging Information	
IP degree of protection	IP20 without enclosure, IP65/IP66/IP68/IP69 with enclosure	Packaging length	245,00 mm
Further technical details		Packaging height	165,00 mm
Characteristics according to EN 61984	80A 830V 8kV 3; 16A 400V 6kV 3; 16A 400/690V 6kV 2	Packaging width	215,00 mm
Mating cycles	≥ 500	Packaging weight	3,96 kg
Insulation resistance	≥ 10 GΩ	Packaging volume	8,69 dm ³
Contact resistance	≤ 0,3 mΩ (4 poles), ≤ 1 mΩ (2 poles)	Packaging description	Carton box
Weight	118,00 g	Packaging quantity	30 Pcs
Operating temperature range (min, max)	-40 °C ... +125 °C	Packaging EAN code	8015747191845
UL 94 flammability rating	V-0	Sub-packaging length	87,00 mm
		Sub-packaging height	36,00 mm
		Sub-packaging width	180,00 mm
		Sub-packaging weight	0,66 kg
		Sub-packaging volume	0,56 dm ³
		Sub-packaging description	Carton tray
		Sub-packaging quantity	5 Pcs
		Sub-packaging EAN barcode	8015747042345

Part number

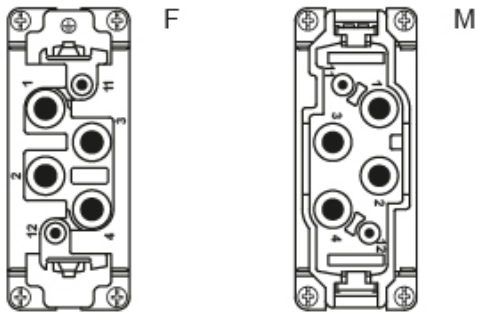
CXF 4/2



Catalogue drawings

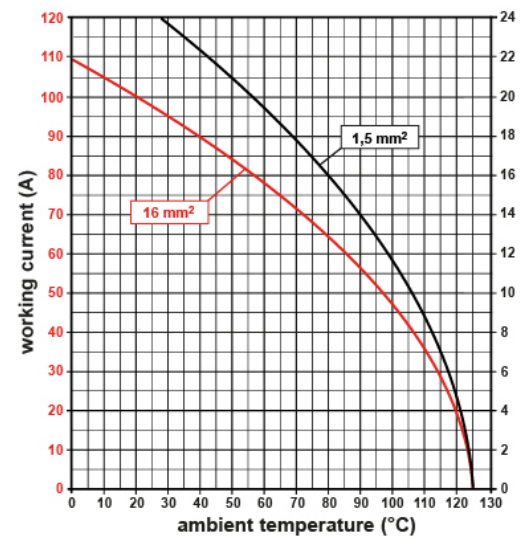
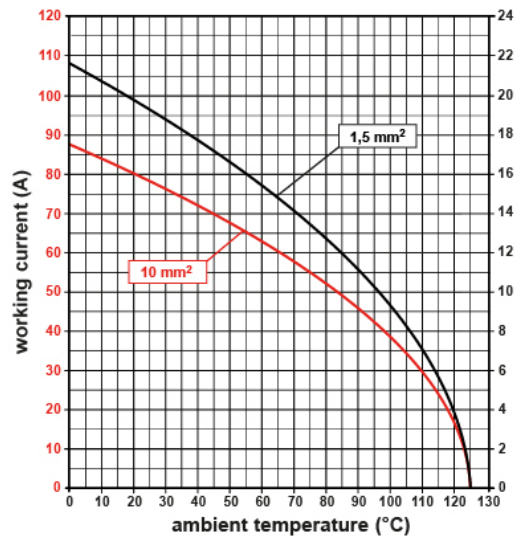
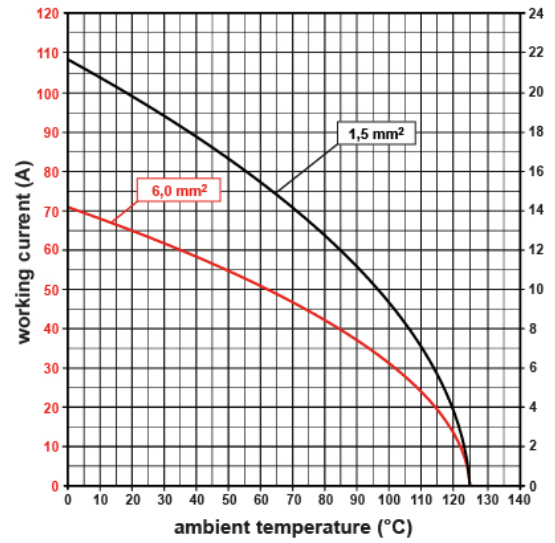


contacts side (front view)



Derating curves

CX 4/2 poles connector inserts
Maximum current load derating diagram



Dimensions shown in mm are not binding and may be changed without notice.
