

Part number

MHO 10 L25



Hood, C-TYPE series, with 2 pegs, M25 side cable entry, size "57.27"

Product description

Product type	Hood
Series	C-TYPE
Closing type	With 2 pegs
Size	Size "57.27"
Cable entry	Side cable entry M25

Technical data

IP degree of protection	IP66 (and IP69 DIN 40050 - 9)
--------------------------------	-------------------------------

Further technical details

Weight	128,00 g
Operating temperature range (min, max)	-40°C...+125°C

Material properties

Colour	RAL 7040 grey
---------------	---------------

Approvals / Standards

Certifications	DNV-GL, BV
UL	ECBT2
cUL	ECBT8

General ordering information

EAN13 code	8015747053129
-------------------	---------------

Packaging Information

Packaging length	125,00 mm
Packaging height	110,00 mm
Packaging width	225,00 mm
Packaging weight	1,38 kg
Packaging volume	3,09 dm ³
Packaging description	Carton box
Packaging quantity	10 Pcs
Packaging EAN code	8015747053136
Sub-packaging weight	0,69 kg
Sub-packaging description	Plastic packaging
Sub-packaging quantity	5 Pcs
Sub-packaging EAN barcode	8015747053143

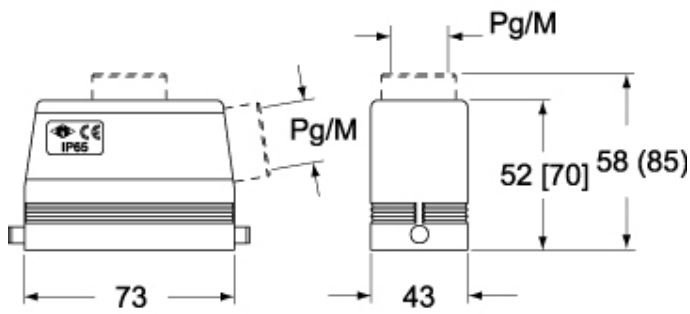
Part number

MHO 10 L25

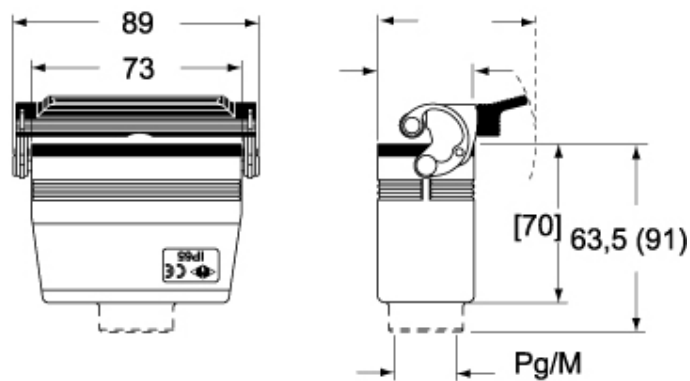


Catalogue drawings

CHO L (CAO) MHO L [MAO L]
CHV L [CAV L] MHV L (MAV L)



CHV L (CAV LG), MHV LG (MAV LG) [MFV LG]



Notes

Dimensions shown in mm are not binding and may be changed without notice.