

Part number

TM 1663 SP



Interlocked switched socket-outlet, TM series, 2 poles + PE, 6 h (blue), 16 A, 200 ÷ 250 V, without fuse-carrier, with base box

Product description

Product type	Interlocked switched socket-outlet
Series	TM..SP/KSP
N. of poles	2 poles +
Clock position	6
Size	115 x 450 x 18 mm
Specification	Without fuse-carrier With base box

Technical data

Current	16 A
Voltage	200 ÷ 250 V
IP degree of protection	IP66/IP67

Further technical details

Weight	1.310,00 g
Operating temperature range (min, max)	-25°C ... +40°C
UL 94 flammability rating	V-2
IK rating (impact degree of protection)	IK10

Material properties

Colour	RAL 7012 grey, RAL 5015 blue
---------------	------------------------------

Approvals / Standards

Reference standard	EN 60309-1 and -2
---------------------------	-------------------

General ordering information

EAN13 code	8015747100359
-------------------	---------------

Packaging Information

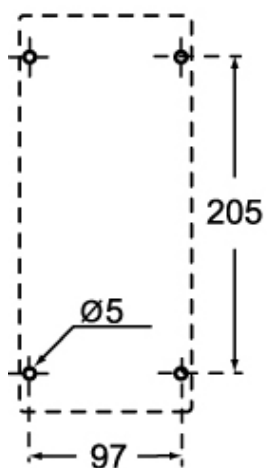
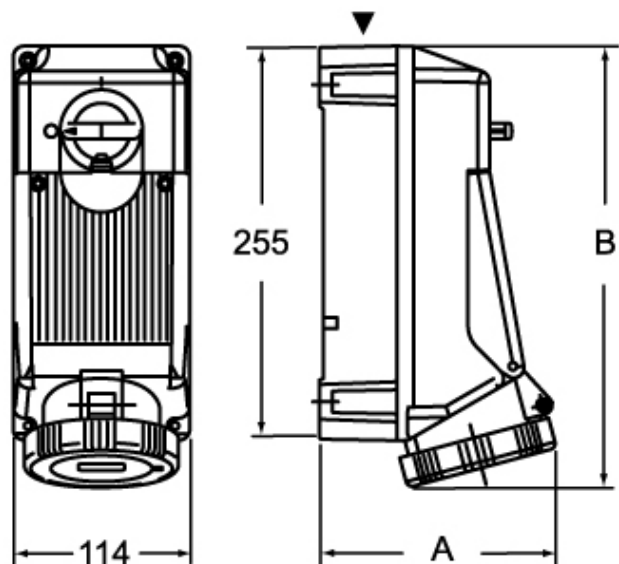
Packaging weight	11,79 kg
Packaging volume	52,36 dm ³
Packaging description	Carton box
Packaging quantity	9 Pcs
Packaging EAN code	8015747103008
Sub-packaging weight	1,31 kg
Sub-packaging description	Plastic packaging
Sub-packaging quantity	1 Pcs
Sub-packaging EAN barcode	8015747103015

Part number

TM 1663 SP



Catalogue drawings



	A	B
2P+\oplus	133	276
3P+\oplus	135	276
3P+N+\oplus	140	277

Notes

Dimensions shown in mm are not binding and may be changed without notice.