

Part number

TM 2344 T2



Box, TM series, for 2 TM interlocked socket outlets without base box

Product description

Product type	Box
Series	TM
Size	114 x 255 mm fixing distance, for assembly in single or multiple boxes
Specification	For 2 TM interlocked socket outlets without base box

Technical data

IP degree of protection	IP66/IP67
--------------------------------	-----------

Further technical details

Weight	1.260,00 g
Operating temperature range (min, max)	-25°C ... +40°C
IK rating (impact degree of protection)	IK10

Material properties

Colour	RAL 7012 grey
---------------	---------------

General ordering information

EAN13 code	8015747090681
-------------------	---------------

Packaging Information

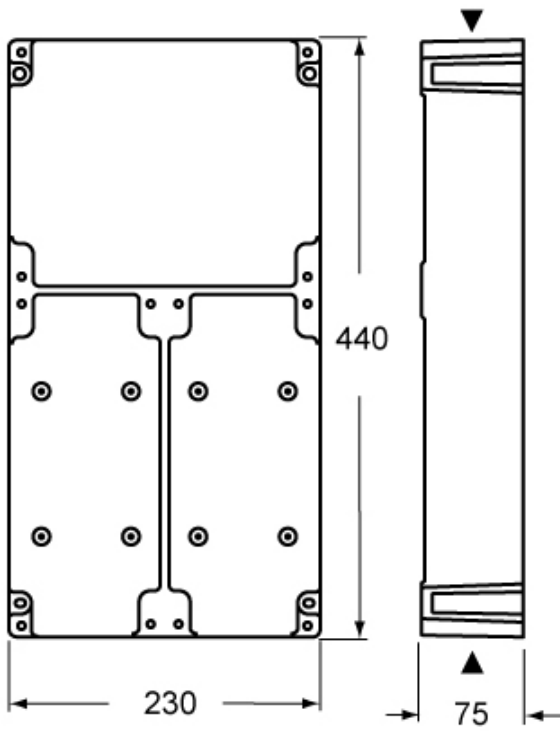
Packaging length	325,00 mm
Packaging height	260,00 mm
Packaging width	460,00 mm
Packaging weight	5,04 kg
Packaging volume	38,87 dm ³
Packaging description	Carton box
Packaging quantity	4 Pcs
Packaging EAN code	8015747090698
Sub-packaging weight	1,26 kg
Sub-packaging description	Plastic packaging
Sub-packaging quantity	1 Pcs
Sub-packaging EAN barcode	8015747090704

Part number

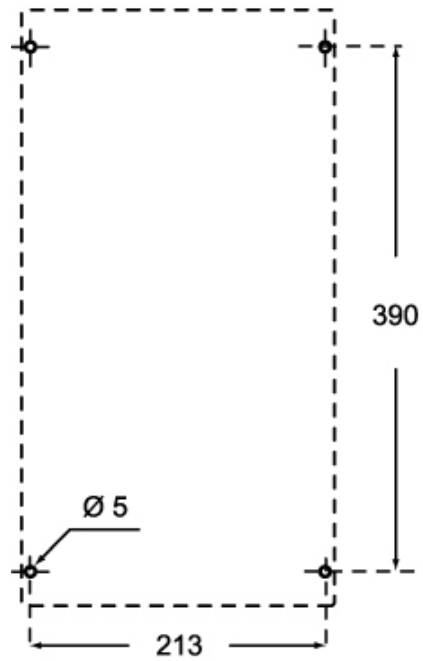
TM 2344 T2



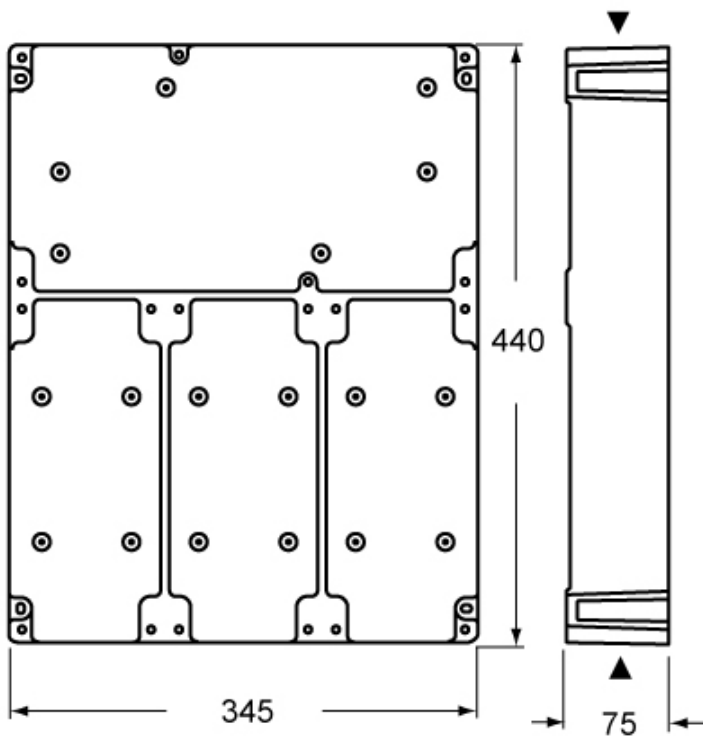
TM 2344 T2



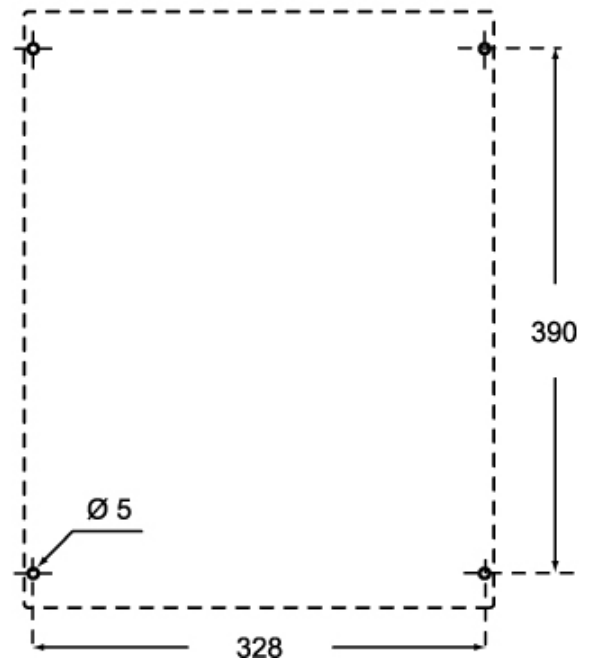
TM 2344 T2



TM 3444 T3



TM 3444 T3



Notes

Dimensions shown in mm are not binding and may be changed without notice.
