

Part number

TM 3243KSP



Interlocked switched socket-outlet, TM series, 2 poles + PE, 4 h (yellow), 32 A, 100 ÷ 130 V, without fuse-carrier, with base box

Product description

| | |
|-----------------------|---------------------------------------|
| Product type | Interlocked switched socket-outlet |
| Series | TM..SP/KSP |
| N. of poles | 2 poles + |
| Clock position | 4 |
| Size | 115 x 450 x 18 mm |
| Specification | Without fuse-carrier With base box |

Technical data

| | |
|--------------------------------|-------------|
| Current | 32 A |
| Voltage | 100 ÷ 130 V |
| IP degree of protection | IP66/IP67 |

Further technical details

| | |
|--|-----------------|
| Weight | 1.370,00 g |
| Operating temperature range (min, max) | -25°C ... +40°C |
| UL 94 flammability rating | V-2 |
| IK rating (impact degree of protection) | IK10 |

Material properties

| | |
|---------------|--------------------------------|
| Colour | RAL 7012 grey, RAL 1021 yellow |
|---------------|--------------------------------|

Approvals / Standards

| | |
|---------------------------|-------------------|
| Reference standard | EN 60309-1 and -2 |
|---------------------------|-------------------|

General ordering information

| | |
|-------------------|---------------|
| EAN13 code | 8015747126465 |
|-------------------|---------------|

Packaging Information

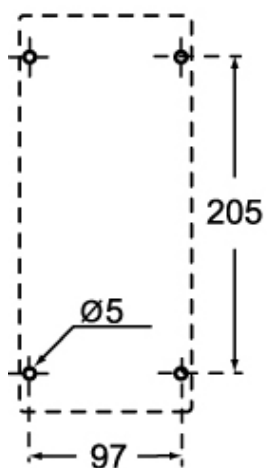
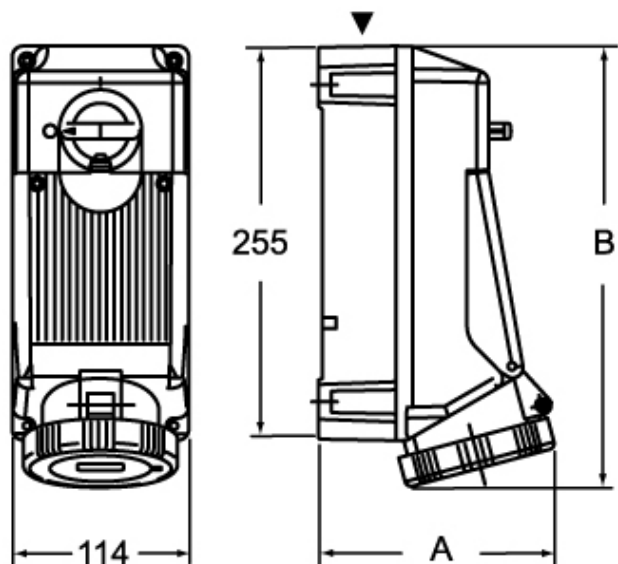
| | |
|----------------------------------|-----------------------|
| Packaging weight | 12,33 kg |
| Packaging volume | 55,44 dm ³ |
| Packaging description | Carton box |
| Packaging quantity | 9 Pcs |
| Packaging EAN code | 8015747170123 |
| Sub-packaging weight | 1,37 kg |
| Sub-packaging description | Carton tray |
| Sub-packaging quantity | 1 Pcs |
| Sub-packaging EAN barcode | 8015747170130 |

Part number

TM 3243KSP



Catalogue drawings



| | A | B |
|---------------|-----|-----|
| 2P+⊕ | 133 | 276 |
| 3P+⊕ | 135 | 276 |
| 3P+N+⊕ | 140 | 277 |

Notes

Dimensions shown in mm are not binding and may be changed without notice.