

BIS Isolating Switches

The IMO range of isolating switch have been designed to isolate safely your electrical circuit from the main supply and are manufactured in accordance with IEC 60947-3.

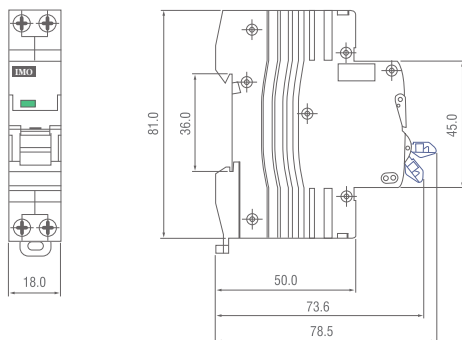
- On-load isolator
- Capable of switch electric circuit with load
- Contact position indicating window; transparent cover to carry label
- Suitable for terminal and Pin or Fork type busbar connection
- IP20 Finger protected connection terminals
- Compatible with MCB accessories range
- Optional Handle padlock device: B10-LOCK



Options & Ordering Codes

Distribution board Isolating Switch	BIS			
		2	063A	
1 Pole	1		N32A	Compact Size, Blue Handle, 32A
2 Pole	2		063A	63 Amps
3 Pole	3		100C	100 Amps
4 Pole	4		125A	125 Amps
			250A	250 Amps (Supplied with terminal separators)

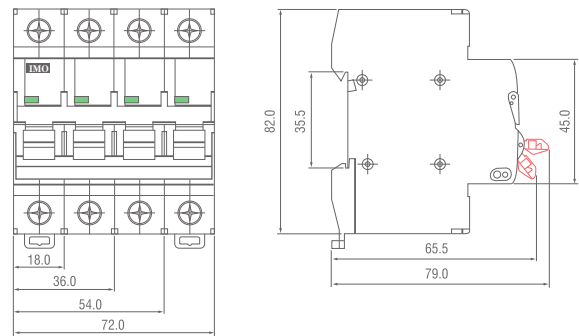
Dimensions (mm) for Compact 32A version



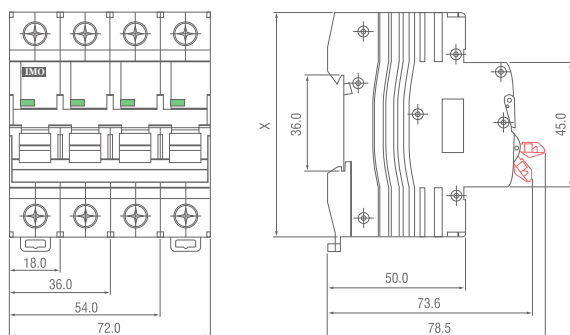
Specification

In accordance with	IEC 60947-3
Certification	CE, SEMKO (63 and 125A only)
Pole composition	1P / 2P / 3P / 4P
Rated current	32A / 63A / 100A / 125A / 250A
Rated voltage	AC 230 / 400V
Rated frequency	50/60Hz
Rated short circuit capacity	6kA (3kA for 100A version)
Electrical lifetime	> 10,000 operations
Tightening torque	2.0Nm
Terminal capacity	35mm ² solid, 25mm ² stranded conductor
Protection degree	IP20
Operating temperature range:	-30°C to 60°C

Dimensions (mm) for 100A version

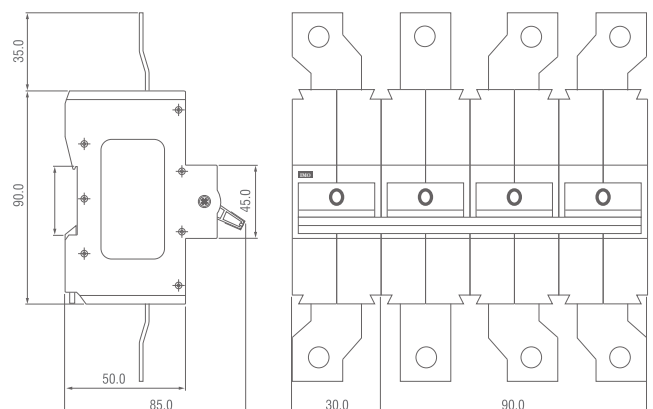


Dimensions (mm) for 63A & 125A version



Rating	X
63A	81mm
125A	90mm

Dimensions (mm) for 250A version



Technical Datasheet

