



Technical Data

BZR Buzzers

IP40



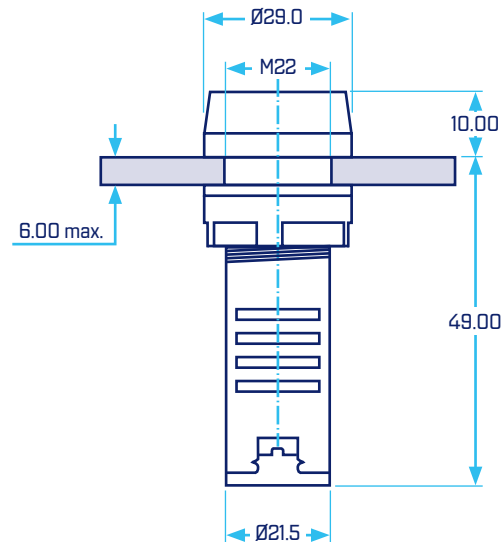
- 22.5mm Single Hole Mounting
- IP40 Protection Rating
- 24VAC/DC, 110VAC/DC & 230VAC
- Polycarbonate Body & Lens
- Temperature Range: -5°C to +40°C
- Intermittent sound output: 80-85dB
- Intermittent Red LED Option

ORDERING INFORMATION

Part Number	Voltage Rating	Description
BZR-24	24VAC/DC	Buzzer
BZRL-24		Buzzer with LED
BZR-110	110VAC/DC	Buzzer
BZRL-110		Buzzer with LED
BZR-230AC	230VAC	Buzzer
BZRL-230AC		Buzzer with LED

DIMENSIONS (mm)

Part Number	Total Length	Lens Diameter	Mounting Hole
BZR/BZRL	59.00	29.00	M22



GENERAL INFORMATION

Outer Material	Polycarbonate
Approvals	UKCA, CE, RoHS
Connection Type	Screw Clamp
Mounting Type	Panel Mount

TECHNICAL SPECIFICATION

Part Number	BZR	BZRL
Fixing Hole Diameter	22.5mm	
Loudness	80-85dB	
Alert Frequency	Sound Only: 0.75Hz [45 times per min.]	Sound & Light: 0.5Hz [approx 30 times per min.]
Brightness	n/a	≥20cd/m ²
Electrical Life	≥30,000 hours	
Max. Power Consumption	24V AC/DC	0.72W
	110V AC/DC	3.3W
	230V AC	6.9W
Protection Rating	IP40	
Temperature Range	-5°C to +40°C	

For more information, email info@stag-electrical.com.au