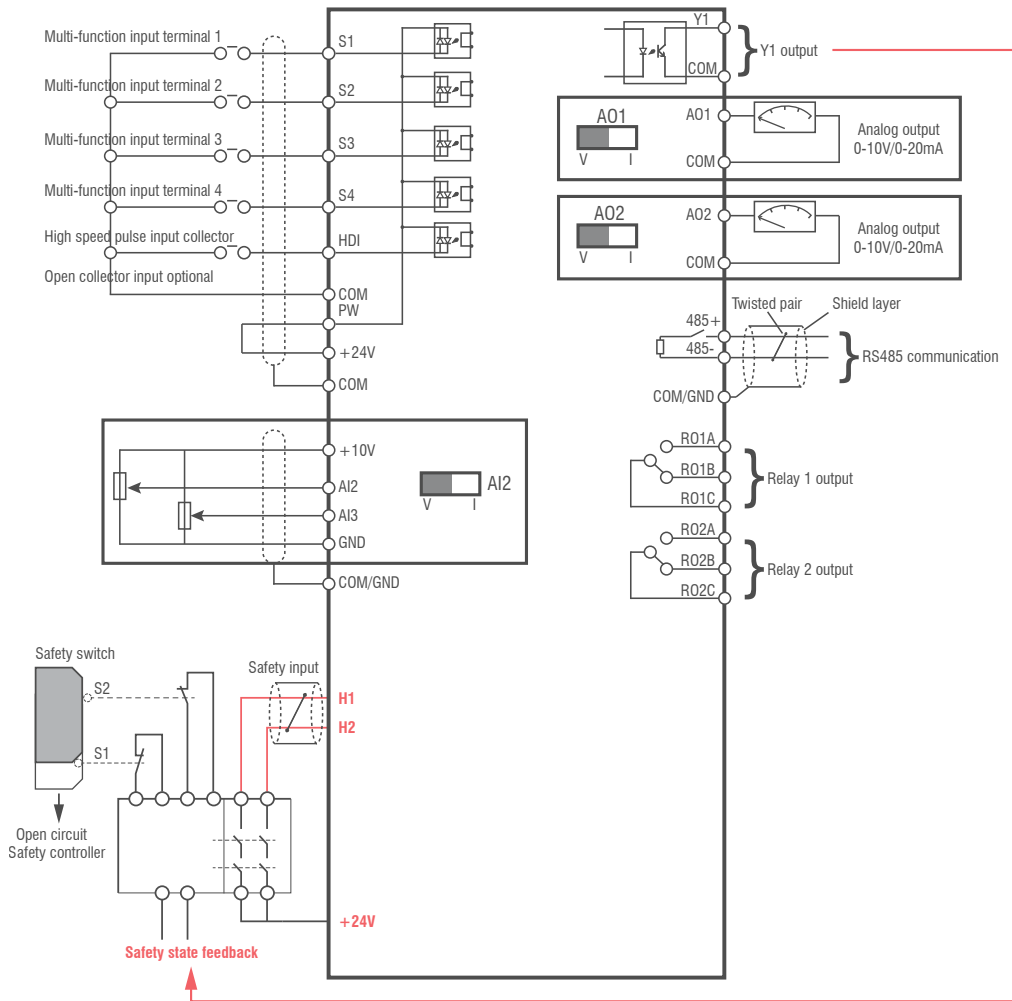


SD1 Power & Control Connections



NOTE: This is a typical circuit which, depending on the rating is subject to change. Please check the user manual for more details.

SD1 Optional External EMC Filters

Single Phase 220Vac				
Model	C3 Filter / Current		C2 Filter / Current	
SD1-2.5A-21	SD1-RFC3-10	10A	SD1-RFC2-10	10A
SD1-4.2A-21	SD1-RFC3-10	10A	SD1-RFC2-10	10A
SD1-7.5A-21	SD1-RFC3-10	10A	SD1-RFC2-16	16A
SD1-10A-21	SD1-RFC3-10	10A	SD1-RFC2-16	16A

Three Phase 220Vac				
Model	C3 Filter / Current		C2 Filter / Current	
SD1-2.5A-23	SD1-RFC3-7	7A	SD1-RFC2-6	6A
SD1-4.2A-23	SD1-RFC3-7	7A	SD1-RFC2-6	6A
SD1-7.5A-23	Internal	-	SD1-RFC2-16	16A
SD1-10A-23	Internal	-	SD1-RFC2-16	16A
SD1-16A-23	Internal	-	SD1-RFC2-32	32A
SD1-20A-23	Internal	-	SD1-RFC2-32	32A
SD1-30A-23	Internal	-	SD1-RFC2-45	45A

Three Phase 400Vac				
Model	C3 Filter / Current		C2 Filter / Current	
SD1-2.5A-43	SD1-RFC3-7	7A	SD1-RFC2-6	6A
SD1-4.2A-43	SD1-RFC3-7	7A	SD1-RFC2-6	6A
SD1-5.5A-43	SD1-RFC3-7	7A	SD1-RFC2-6	6A
SD1-9.5A-43	Internal	-	SD1-RFC2-16	16A
SD1-14A-43	Internal	-	SD1-RFC2-16	16A
SD1-18.5A-43	Internal	-	SD1-RFC2-32	32A
SD1-25A-43	Internal	-	SD1-RFC2-32	32A