



# Technical Data

## SLI66L Enclosed Lever Isolators



- 1 & 3 Pole Range available from 20A to 63A
- IP66 Protection Rating (enclosure)
- EN 60947-3 Compliant
- Single-piece Sealing Gasket
- 4x25mm Threaded Entry Points (2x25mm-20mm Adaptors Supplied)
- Lockable Lever Handle
- Flame Retardant
- Base Mounting Screw Covers
- Additional Earth & Neutral Connection
- Integral Encapsulated Mounting Holes

### ORDERING INFORMATION

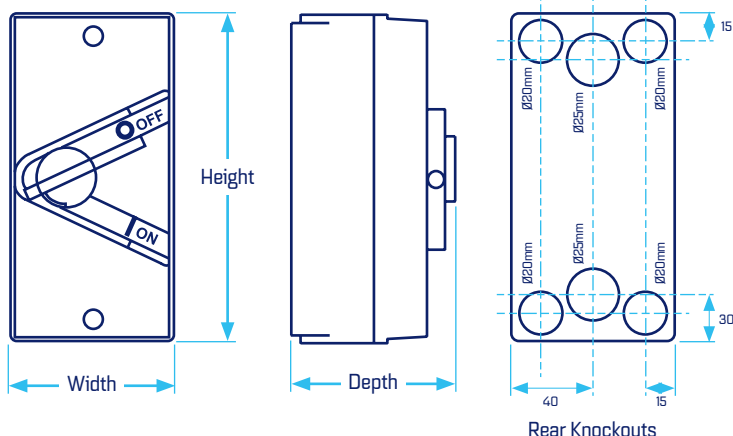
Part Number	Current I <sub>e</sub> (AC23A)	Rated Operating Voltage	Poles
SLI66L-1-20	20A	250V	1
SLI66L-1-35	35A	250V	1
SLI66L-1-63	63A	250V	1
SLI66L-3-20	20A	415V	3
SLI66L-3-35	35A	415V	3
SLI66L-3-63	63A	415V	3

### DIMENSIONS (mm)

Part Number	Height	Width	Depth (inc. Handle)
SLI66L-1-20	166	83	86
SLI66L-1-35	166	83	86
SLI66L-1-63	166	83	86
SLI66L-3-20	166	83	86
SLI66L-3-35	166	83	86
SLI66L-3-63	166	83	86

### GENERAL INFORMATION

Enclosure Material	Polycarbonate
Lid Screw Material	Stainless Steel
Ingress Protection	IP66 Enclosure / IP20 Body
Approvals	UKCA, CE
Compliance	IEC EN 60947-3, RoHS



Rear Knockouts

### TECHNICAL SPECIFICATION

Part Number	SLI66L-1-20	SLI66L-1-35	SLI66L-1-63	SLI66L-3-20	SLI66L-3-35	SLI66L-3-63
Poles	1	1	1	3	3	3
Rated Operational Current I <sub>e</sub> (AC23A) [A]	20	35	63	20	35	63
Rated Voltage [V]	250	250	250	415	415	415
Frequency [Hz]	50/60	50/60	50/60	50/60	50/60	50/60
Rated Insulation Voltage U <sub>i</sub> [V]	500	500	500	500	500	500
Max. Cable Size (Solid/Stranded) [mm <sup>2</sup> ]	16	16	16	16	16	16
Short Time Withstand Current 1 sec. I <sub>cw</sub> [A]	12 I <sub>e</sub>	12 I <sub>e</sub>	12 I <sub>e</sub>	12 I <sub>e</sub>	12 I <sub>e</sub>	12 I <sub>e</sub>
Short Time Making Capacity I <sub>cm</sub> [A]	1.41 I <sub>cw</sub>	1.41 I <sub>cw</sub>	1.41 I <sub>cw</sub>	1.41 I <sub>cw</sub>	1.41 I <sub>cw</sub>	1.41 I <sub>cw</sub>
Protection Degree	IP66	IP66	IP66	IP66	IP66	IP66
Tightening Torque [Nm]	1.5	1.5	1.5	1.5	1.5	1.5
Mechanical Life (10 <sup>3</sup> )	10	10	10	10	10	10
Operating Temperature	-5°C to +40°C					
Weight [kg]	0.38	0.38	0.38	0.44	0.44	0.44

For more information, email [info@stag-electrical.com.au](mailto:info@stag-electrical.com.au)