



Technical Data

SLI66L Enclosed Lever Isolators



- 1 & 3 Pole Range available from 20A to 63A
- IP66 Protection Rating (enclosure)
- EN 60947-3 Compliant
- Single-piece Sealing Gasket
- 4x25mm Threaded Entry Points (2x25mm-20mm Adaptors Supplied)
- Lockable Lever Handle
- Flame Retardant
- Base Mounting Screw Covers
- Additional Earth & Neutral Connection
- Integral Encapsulated Mounting Holes

ORDERING INFORMATION

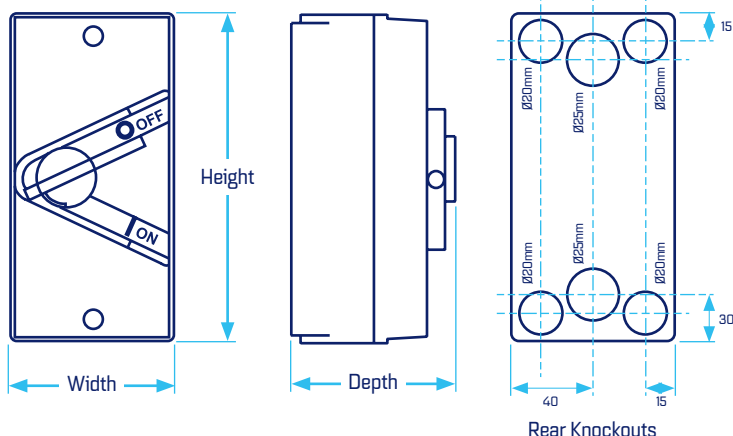
| Part Number | Current I _e (AC23A) | Rated Operating Voltage | Poles |
|-------------|--------------------------------|-------------------------|-------|
| SLI66L-1-20 | 20A | 250V | 1 |
| SLI66L-1-35 | 35A | 250V | 1 |
| SLI66L-1-63 | 63A | 250V | 1 |
| SLI66L-3-20 | 20A | 415V | 3 |
| SLI66L-3-35 | 35A | 415V | 3 |
| SLI66L-3-63 | 63A | 415V | 3 |

DIMENSIONS (mm)

| Part Number | Height | Width | Depth (inc. Handle) |
|-------------|--------|-------|---------------------|
| SLI66L-1-20 | 166 | 83 | 86 |
| SLI66L-1-35 | 166 | 83 | 86 |
| SLI66L-1-63 | 166 | 83 | 86 |
| SLI66L-3-20 | 166 | 83 | 86 |
| SLI66L-3-35 | 166 | 83 | 86 |
| SLI66L-3-63 | 166 | 83 | 86 |

GENERAL INFORMATION

| | |
|--------------------|----------------------------|
| Enclosure Material | Polycarbonate |
| Lid Screw Material | Stainless Steel |
| Ingress Protection | IP66 Enclosure / IP20 Body |
| Approvals | UKCA, CE |
| Compliance | IEC EN 60947-3, RoHS |



TECHNICAL SPECIFICATION

| Part Number | SLI66L-1-20 | SLI66L-1-35 | SLI66L-1-63 | SLI66L-3-20 | SLI66L-3-35 | SLI66L-3-63 |
|---|----------------------|----------------------|----------------------|----------------------|----------------------|----------------------|
| Poles | 1 | 1 | 1 | 3 | 3 | 3 |
| Rated Operational Current I _e [AC23A] [A] | 20 | 35 | 63 | 20 | 35 | 63 |
| Rated Voltage [V] | 250 | 250 | 250 | 415 | 415 | 415 |
| Frequency [Hz] | 50/60 | 50/60 | 50/60 | 50/60 | 50/60 | 50/60 |
| Rated Insulation Voltage U _i [V] | 500 | 500 | 500 | 500 | 500 | 500 |
| Max. Cable Size [Solid/Stranded] [mm ²] | 16 | 16 | 16 | 16 | 16 | 16 |
| Short Time Withstand Current 1 sec. I _{cw} [A] | 12 I _e | 12 I _e | 12 I _e | 12 I _e | 12 I _e | 12 I _e |
| Short Time Making Capacity I _{cm} [A] | 1.41 I _{cw} | 1.41 I _{cw} | 1.41 I _{cw} | 1.41 I _{cw} | 1.41 I _{cw} | 1.41 I _{cw} |
| Protection Degree | IP66 | IP66 | IP66 | IP66 | IP66 | IP66 |
| Tightening Torque [Nm] | 1.5 | 1.5 | 1.5 | 1.5 | 1.5 | 1.5 |
| Mechanical Life (10 ³) | 10 | 10 | 10 | 10 | 10 | 10 |
| Operating Temperature | -5°C to +40°C | | | | | |
| Weight [kg] | 0.38 | 0.38 | 0.38 | 0.44 | 0.44 | 0.44 |

For more information, email info@stag-electrical.com.au