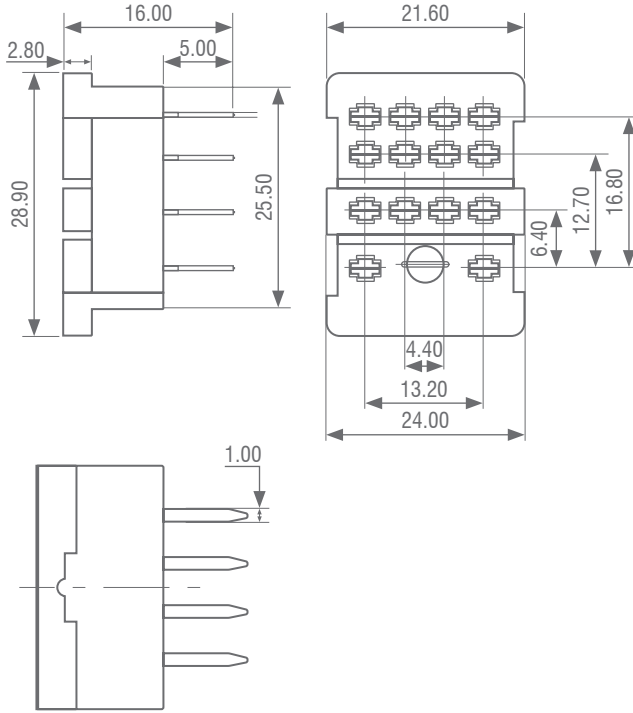


HYE Series

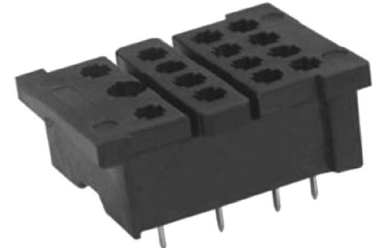
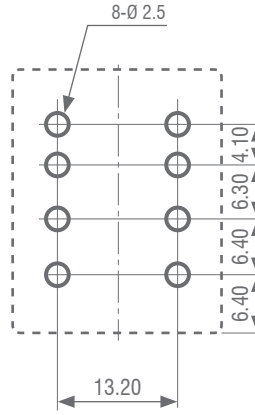
Miniature Intermediate Power Relays

SRPE4-0

Metallic retainer provided

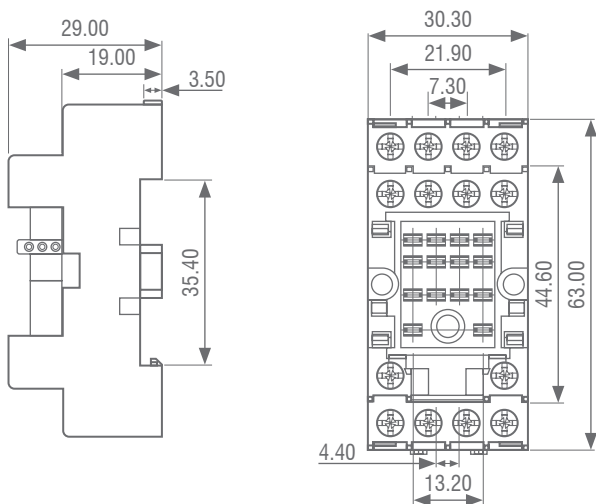


PCB Layout

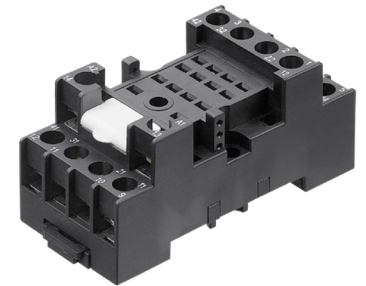
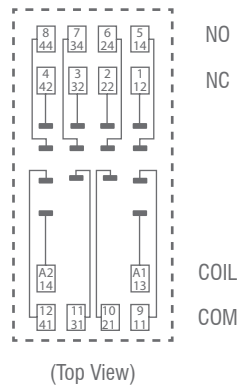


Optional Accessory
Metallic retainer SRC-CLIP

SRNE4-C



Wiring Diagram



Optional Accessory
Metallic retainer RCE4-N

NOTE: Supplied without retaining clip