

JC050005

Toughflood Commercial

Toughflood Commercial 70W 7400lm 106lpcW 4000K IP65 Black

Features & Benefits

- Up to 106 LpcW
- Driver less technology, instant start up
- Polycarbonate Diffuser: Suitable for food preparation
- 2M pre-wired H05RN-F cable for exterior applications
- ADC12 die-cast aluminium body, corrosion resistant, lightweight for easier installation
- Easy access installation with 55° angled Galvanized steel bracket ,110° beam angle
- This product contains a light source of energy efficiency class E



General Information

Mounting	Wall
Trade Name	Toughflood
Environment	Outdoor
Color Finish	Black
Product Shape	Rectangular
Product Range	Commercial Exterior
IK Rating	IK08
Overall Dimensions	255 x 229 x 36mm
Length (mm)	229
Width (mm)	240
Depth (mm)	36
Product Weight(kg)	1.15
Light Source	LED
Light Source Features	Neutral White
Recommended product location	Exterior, general security lighting
Method of fix	Mounting Bracket with suitable fixings (not supplied)
IP Rating	IP65
Origin of manufacturer	China
Warranty	3 Year Warranty (See Website for terms and conditions)

Driver manufacturer	No driver, mains LED Chips
LED manufacturer/type	Optoelectronics 2835
Lighting Product Type 1	Wall Light
Customs Tariff code**	9405421000

Electrical

Voltage Rating	220-240
Primary Running Current(Amp)	0.35
Operating Frequency Hz	50/60Hz
Luminaire Circuit Wattage1	70
Class	I
EMC Compliant (EN55015)	Yes
Power Factor Correction	0.9
Input Electrical Connections	Live, Earth and Neutral
Dimmable	No
Supplied cable rating	2M pre-wired H05RN-F

Thermals

Operating Temperature Range °C	-20 to +40
--------------------------------	------------

Performance Data

LED Life (Hours)*	54000
Energy Rating	This product contains a light source of energy efficiency class E
Actual Lumen Output1	7400
Lumens Per Circuit Watt1	106
Standard Deviation Colour Matching - SDCM	<6
Color Rendering Index	50-79
CRI: Ra	70
Correlated Colour Temperature1	4000K
Beam Angle °	110
LOR (Light Output Ratio) %	100
Photometry Available	Yes

Construction

Primary Material	ADC12 die-cast aluminium
Outer Diffuser	Opaque Polycarbonate

Packaging

Product carton overall dimensions(cm)	27.4 x 24.5 x 4.5 cm
Product Packaged Weight(kg)	1.3
Quantity Per Outer Carton	10
Outer carton(L)- cm	47.0
Outer carton(W)- cm	28.6

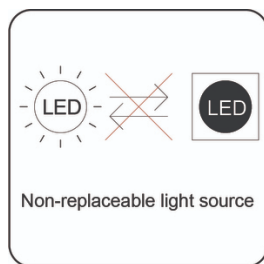
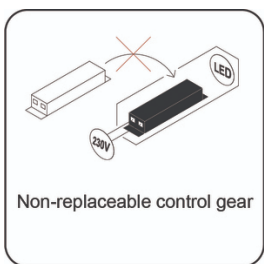
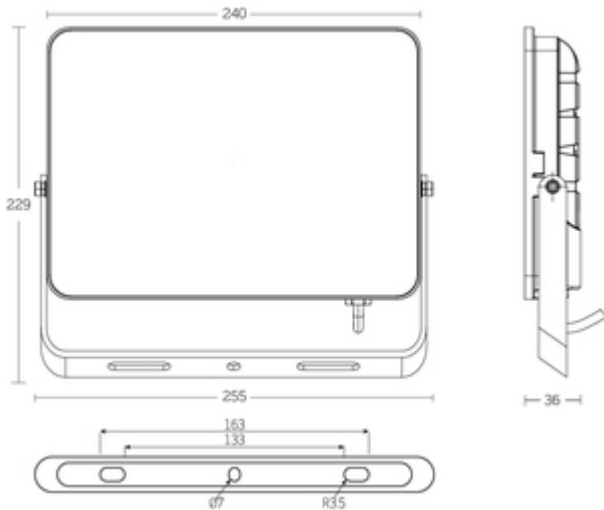
Outer carton(H)- cm
Outer carton Net weight- kg
Outer carton Gross weight- kg
Product Bar Code EAN-13 Number
Outer carton Bar Code ITF-14 Number

25.7
13.00kg
13.50kg
5052544105975
15052544105972

Standards & Approvals

Manufactured in accordance to
CE Marked
UKCA Marked
Date code/Purchase order No.
WEEE symbol
Certificate Of Conformity
Accredited Members

BS EN 60598-2015,2-1,2-5
Yes
Yes
Yes
Yes
Available on request
LIA, ISO9001-2015, ISO14001-2015



*Hours life stated is an indication of expected L70 chip and light output calculations when operating in optimum conditions. Product warranty period supports the full product during the term given. The L70 hours expectancy is not correlated with the full product warranty term, nor is it a representation of lumen depreciation during the warranty period.

**JCC Lighting Limited makes every effort to ensure that the Customs Tariff information in this document is timely and accurate. However, it's not possible for us to assure the absolute veracity and completeness of that information, as errors may occur. The placement of any inaccurate tariff information is completely unintentional. JCC Lighting Limited reserves the right, in its sole discretion, to correct any errors or omissions to the tariff code and to make any and all changes contained in this document at any time and without notice. It is the sole responsibility of the importer to ensure that the commodity code advised is correct for the products/goods being supplied by JCC Lighting Limited. JCC Lighting Limited does not assume any liabilities, losses, costs, and expenses arising out of or related to the importers use of this commodity code or the information related to the import of any JCC Lighting products.

JCC Lighting LTD, Lux Park, Chichester Business Park, City Fields Way, Tangmere, Chichester, West Sussex, PO20 2FT.
Sales: 01243 838999 (8am to 5pm Monday to Friday) Fax: 01243 838998 | sales@jcc.co.uk | www.jcc.co.uk
Company Registration Number: 03044848 | VAT Number: 918544112

This document is uncontrolled if printed, all information is subject to change

Version 222 [17/02/2025]