

JC080132

## Skytile TP(a) UGR

Skytile 1200x600mm 48W IP44 5700K 4800lm Tp(a) UGR <19



### Features & Benefits

- Meets TP(a) requirements, suitable for all applications
- UGR <19 as standard, designed to comply with BS EN 12464-1 lighting of workspace
- Ultra efficient 100LpcW
- DALI/1-10V and DSI Dimming versions available
- IP44 protection against dust and moisture
- Comes with non-dimmable flicker free driver as standard
- Suspension kits and surface mount boxes available
- Suitable for use with JCEM002 and JCEM002ST emergency remote packs
- This product contains a light source of energy efficiency class F



### General Information

Mounting	<b>Recessed</b>
Trade Name	<b>Skytile</b>
Environment	<b>Indoor</b>
Suitable For Zones	<b>Outside zone 1</b>
Product Group	<b>LED - Recessed</b>
Color Finish	<b>White</b>
Product Shape	<b>Square</b>
Product Range	<b>Skytile</b>
Overall Dimensions	<b>595 x 1195 x 10.6 mm</b>
Length (mm)	<b>1195</b>
Width (mm)	<b>595</b>
Height (mm)	<b>10.6</b>
Product Weight(kg)	<b>5</b>
Light Source	<b>LED</b>
Light Source Features	<b>Cool White</b>
Additional Information	<b>Not fire rated</b>
Luminaire Accessories	<b>Skytile surface mount tray(JC71295) Suspension kit (JC71312)</b>

Recommended product location	<b>indoor use only, T grid ceiling systems</b>
Minimum Void Requirement	<b>150mm</b>
Method of fix	<b>sits in 15mm and 25mm ceiling grid system</b>
Distance from lighted object	<b>0.3m</b>
IP Rating	<b>IP44</b>
Origin of manufacturer	<b>Made in China</b>
Warranty	<b>5 Year Warranty (inc 2 year on site)(See Website for terms and conditions)</b>
Suspension kit safe working load	<b>20kg</b>
Driver manufacturer	<b>Ledtu</b>
LED manufacturer/type	<b>Runlite 4014</b>
Lighting Product Type 1	<b>Troffer</b>
Customs Tariff code**	<b>9405119090</b>

## Electrical

Voltage Rating	<b>200-240</b>
Primary Running Current(Amp)	<b>0.35</b>
Inrush current(Amps)	<b>&lt;20</b>
Operating Frequency Hz	<b>50/60Hz</b>
Secondary running current(mA)	<b>1050</b>
Constant Current or Constant Voltage	<b>CC</b>
Luminaire Circuit Wattage1	<b>48</b>
Class	<b>II</b>
Total Harmonic Distortion (THD)%	<b>20</b>
EMC Compliant (EN55015)	<b>Yes</b>
Power Factor Correction	<b>0.9</b>
Input Electrical Connections	<b>Live(brown)Neutral(blue)</b>
Dimmable	<b>No</b>

## Thermals

Thermal Cut Out	<b>yes, auto recovery</b>
Insulation Coverage	<b>do not cover</b>
Minimum Free Air Space	<b>100mm above and 50mm to sides</b>
Minimum Void Requirement	<b>150mm</b>
Operating Temperature Range °C	<b>-20 to +40</b>

## Performance Data

LED Life (Hours)*	<b>54000</b>
Energy Rating	<b>This product contains a light source of energy efficiency class F</b>
Actual Lumen Output1	<b>4800</b>
Lumens Per Circuit Watt1	<b>100 LpcW</b>
Standard Deviation Colour Matching - SDCM	<b>&lt;6</b>
Color Rendering Index	<b>80-89</b>
CRI: Ra	<b>80</b>

Correlated Colour Temperature1	5700K
Beam Angle °	90
LOR (Light Output Ratio) %	100
Photometry Available	Yes

## Controls and Sensors

Overload protection	Yes
---------------------	-----

## Construction

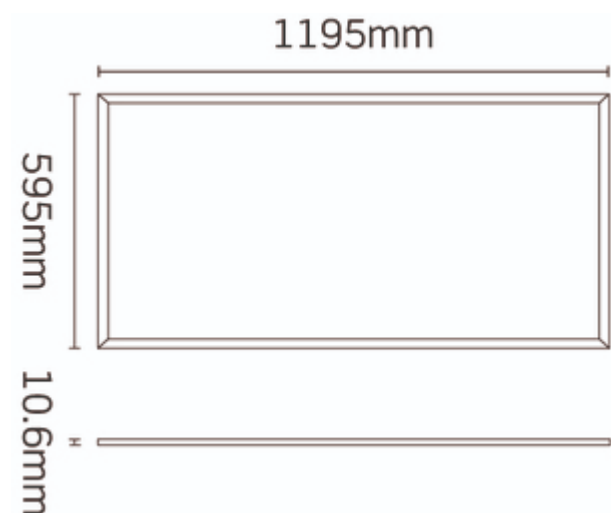
Primary Material	Aluminium
Inner Diffuser	Methylmethacrylate-Styrene (MS)
Outer Diffuser	Polystyrene (PS)
Heat Sink	Aluminium
Driver Housing	Polycarbonate

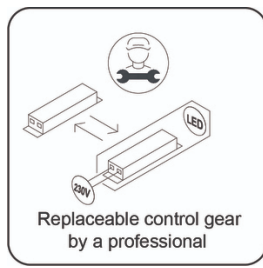
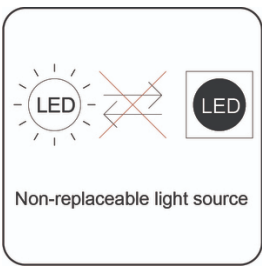
## Packaging

Quantity Per Outer Carton	2
Outer carton(L)- cm	132
Outer carton(W)- cm	68
Outer carton(H)- cm	11.5
Outer carton Net weight- kg	12.2
Outer carton Gross weight- kg	14.2
Product Bar Code EAN-13 Number	5052544116865
Outer carton Bar Code ITF-14 Number	15052544116862

## Standards & Approvals

Manufactured in accordance to	BS EN 60598-2-2
UKCA Marked	Yes
Date code/Purchase order No.	Yes
WEEE symbol	Yes
Certificate Of Conformity	Available on request
Accredited Members	LIA, ISO9001-2015, ISO14001-2015





\*Hours life stated is an indication of expected L70 chip and light output calculations when operating in optimum conditions. Product warranty period supports the full product during the term given. The L70 hours expectancy is not correlated with the full product warranty term, nor is it a representation of lumen depreciation during the warranty period.

\*\*JCC Lighting Limited makes every effort to ensure that the Customs Tariff information in this document is timely and accurate. However, it's not possible for us to assure the absolute veracity and completeness of that information, as errors may occur. The placement of any inaccurate tariff information is completely unintentional. JCC Lighting Limited reserves the right, in its sole discretion, to correct any errors or omissions to the tariff code and to make any and all changes contained in this document at any time and without notice. It is the sole responsibility of the importer to ensure that the commodity code advised is correct for the products/goods being supplied by JCC Lighting Limited. JCC Lighting Limited does not assume any liabilities, losses, costs, and expenses arising out of or related to the importers use of this commodity code or the information related to the import of any JCC Lighting products.

---

JCC Lighting LTD, Lux Park, Chichester Business Park, City Fields Way, Tangmere, Chichester, West Sussex, PO20 2FT.  
Sales: 01243 838999 (8am to 5pm Monday to Friday) Fax: 01243 838998 | [sales@jcc.co.uk](mailto:sales@jcc.co.uk) | [www.jcc.co.uk](http://www.jcc.co.uk)  
Company Registration Number: 03044848 | VAT Number: 918544112

This document is uncontrolled if printed, all information is subject to change

Version 168 [17/02/2025]